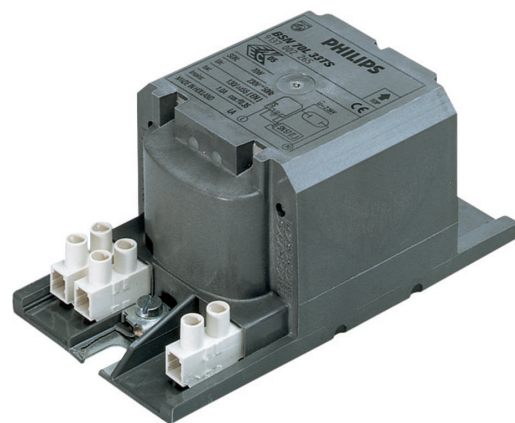


# PHILIPS

## Lighting



# HID-HeavyDuty BSN semi-parallel for SON/CDO/MH/HPI

## BSN 250 L33-TS 230V 50Hz HD2-151

Encapsulated electromagnetic copper/iron ballasts for use with an external semi-parallel ignitor for CDM, CDO, MH, HPI (Plus) and SON lamps

### Product data

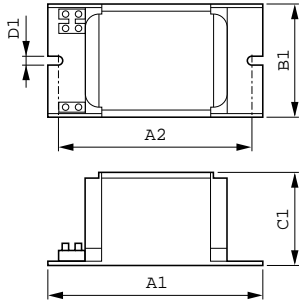
General Information		Ballast Contact Wire Cross Section		0.70-6.00 mm <sup>2</sup>
Application Code	L33-TS	Connector Type	Screw	
Design	HD2-151	<b>System characteristics</b>		
Lamp Type	SON/HPI/CDM	Capacitor	32µF/250V	
Number of Lamps	1 piece/unit	Rated Ballast-Lamp Power	250 W	
<b>Operating and Electrical</b>		Recommended Ignitor	for SON/CDO lamps ignitor SN 58 (913619579966) OR SND 58 (913700185166)	
Input Voltage	230 V	<b>Temperature</b>		
Input Frequency	50 Hz	T-Storage (Max)	130 °C	
Power Factor 100% Load (Nom)	0.87	T-Storage (Min)	-30 °C	
Mains Voltage Performance (AC)	-8%~+6%	T-Winding (Max)	130 °C	
Mains Voltage Safety (AC)	-10%~+10%	Delta-T Normal Conditions	80 °C	
Input Current with PF Correction	1.40 A	<b>Approval and Application</b>		
Input Current without PF Correction	3.00 A	Active Temperature Protection	Yes	
Power Factor without PF Compensation (Nom)	0.40	Approval Marks	CE marking ENEC certificate	
Power Losses (Nom)	29.0 W			
<b>Wiring</b>				
Wire Striplength	7.0 mm			

## HID-HeavyDuty BSN semi-parallel for SON/CDO/MH/HPI

Product Data	
Full product code	871150005964230
Order product name	BSN 250 L33-TS 230V 50Hz HD2-151
EAN/UPC - Product	8711500059642
Order code	913700226326
Numerator - Quantity Per Pack	1

Numerator - Packs per outer box	6
Material Nr. (12NC)	913700226326
Net Weight (Piece)	2.700 kg

### Dimensional drawing



Product	D1	C1	A1	A2	B1
BSN 250 L33-TS 230V 50Hz HD2-151	6.2 mm	66.0 mm	151.0 mm	132.5 mm	81.0 mm

BSN 250 L33-TS 230V 50Hz HD2-151

