

HID-HeavyDuty BSN semi-parallel for SON/CDO/MH/HPI

BSN 400 L33-A2-TS 230V 50Hz HD3-166

Encapsulated electromagnetic copper/iron ballasts for use with an external semi-parallel ignitor for CDM, CDO, MH, HPI (Plus) and SON lamps

Product data

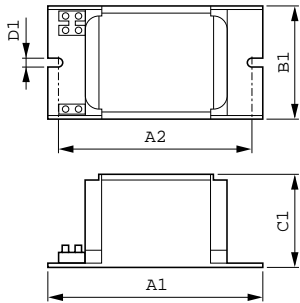
General Information		Ballast Contact Wire Cross Section	
Application Code	L33-A2-TS		0.70-6.00 mm ²
Design	HD3-166	Connector Type	Screw
Lamp Type	SON/HPI	System characteristics	
Number of Lamps	1 piece/unit	Capacitor	45µF/250V
		Rated Ballast-Lamp Power	400 W
		Recommended Ignitor	for SON/CDO lamps SND 58 (913700185166)
Operating and Electrical		Temperature	
Input Voltage	230 V	T-Storage (Max)	130 °C
Input Frequency	50 Hz	T-Storage (Min)	-30 °C
Power Factor 100% Load (Nom)	0.87	T-Winding (Max)	130 °C
Mains Voltage Performance (AC)	-8%~+6%	Delta-T Normal Conditions	70 °C
Mains Voltage Safety (AC)	-10%~+10%	Approval and Application	
Input Current with PF Correction	2.20 A	Active Temperature Protection	Yes
Input Current without PF Correction	4.45 A	Approval Marks	CE marking ENEC certificate
Power Factor without PF Compensation (Nom)	0.40		
Power Losses (Nom)	28.0 W		
Wiring			
Wire Striplength	7.0 mm		

HID-HeavyDuty BSN semi-parallel for SON/CDO/MH/HPI

Product Data	
Full product code	871150005976530
Order product name	BSN 400 L33-A2-TS 230V 50Hz HD3-166
EAN/UPC - Product	8711500059765
Order code	913700226926

Numerator - Quantity Per Pack	1
Numerator - Packs per outer box	4
Material Nr. (12NC)	913700226926
Net Weight (Piece)	4.550 kg

Dimensional drawing



BSN 400 L33-TS 230V 50Hz HD3-166

Product

BSN 400 L33-A2-TS 230V 50Hz HD3-166

