

PHILIPS

Lighting



InfraRed Healthcare Heat Incandescent

PAR38 IR 150W E27 230V Red 1CT/12

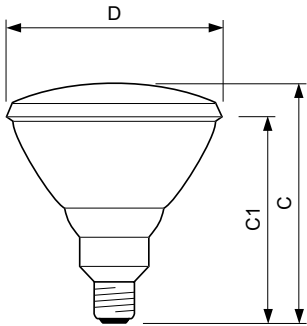
Philips infrared lamps for healthcare and bodycare applications are designed for treating deep-seated muscular ailments and sports injuries. These incandescent reflector lamps are an excellent solution to provide localized heat treatment to relieve muscular pain. They can also be used to treat rheumatic ailments. This form of heat therapy has also been shown to speed the healing of different kinds of injuries such as sports injuries and non-infected wounds, in many cases providing rapid and effective pain relief. The benefits of this form of heat therapy are based on locally enhanced blood circulation in the skin caused by vasodilatory response. This results in an increased transport rate of metabolites and other essential biochemical compounds. Benefits are also gained by deeper penetration of heat, which provides a gentle, pleasant warming effect.

Product data

General Information		Mechanical and Housing	
Cap-Base	E27 [E27]	Bulb Finish	Red
Operating Position	UNIVERSAL [Any or Universal (U)]	Bulb Material	Hard Glass
Main Application	Infrared Health		
Nominal Lifetime (Nom)	300 h		
Operating and Electrical		Product Data	
Power (Nom)	150 W	Full product code	871150012887415
Voltage (Nom)	230 V	Order product name	PAR38 IR 150W E27 230V Red 1CT/12
		EAN/UPC - Product	8711500128874
		Order code	923806644210
		Numerator - Quantity Per Pack	1
		Numerator - Packs per outer box	12
		Material Nr. (12NC)	923806644210
		Net Weight (Piece)	308.000 g

InfraRed Healthcare Heat Incandescent

Dimensional drawing



PAR38 IR 150W E27 230V Red

Product

PAR38 IR 150W E27 230V Red 1CT/12

