



# MASTERCcolour CDM-T

## MASTERCcolour CDM-T 250W/830 G12 1CT/12

Range of single-ended, compact, high-efficiency, discharge lamps with a stable colour over lifetime and a crisp, sparkling light

### Product data

General Information	
Cap base	G12 [ G12]
Operating position	UNIVERSAL [ Any/Universal]
Life to 5% failures (nom.)	3500 h
Life to 10% failures (nom.)	10000 h
Life to 20% failures (nom.)	12000 h
Life to 50% failures (nom.)	15000 h
ANSI code HID	-

Light Technical	
Colour code	830 [ CCT of 3,000 K]
Luminous flux (rated) (min.)	24780 lm
Luminous flux (rated) (nom.)	27540 lm
Colour designation	Warm white (WW)
Lumen maintenance 10,000 hours (nom.)	92 %
Lumen maintenance 2,000 hours (nom.)	98 %
Lumen maintenance 5,000 hours (nom.)	97 %
Chromaticity coordinate X (nom.)	0.435
Chromaticity coordinate Y (nom.)	0.393
Correlated colour temperature (nom.)	3000 K
Luminous efficacy (rated) (nom.)	111 lm/W
Color rendering index (nom.)	85

Ratio Scotopic/Photopic Lumens	1.30
--------------------------------	------

Operating and Electrical	
Power (Rated) (Nom)	249 W
Lamp current run-up (max.)	6 A
Lamp current (EM) (nom.)	2.99 A
Ignition supply voltage (max.)	198 V
Ignition peak voltage (max.)	5000 V
Ignition supply voltage (min.)	198 V
Ignition peak voltage (min.)	3500 V
Re-ignition time (min.) (max.)	15 min
Ignition time (max.)	30 s
Voltage (Max)	103 V
Voltage (Min)	87 V
Voltage (Nom)	95 V

Controls and Dimming	
Dimmable	no
Run-up time 90% (max.)	3 min

# MASTERCLOUR CDM-T

## Mechanical and Housing

Bulb finish Clear

## Approval and Application

Energy efficiency label (EEL) A+  
 Mercury (Hg) content (nom.) 27.5 mg  
 Energy Consumption kWh/1000 h 274 kWh

## UV

PET (NIOSH) (min.) 8 h/500lx  
 Damage factor D/fc (nom.) 0.15

## Luminaire Design Requirements

Bulb temperature (max.) 700 °C  
 Cap base temperature (max.) 280 °C

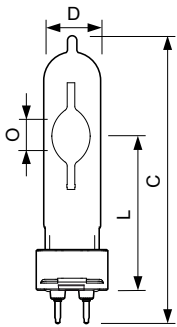
Pinch temperature (max.) 350 °C

## Product Data

Full product code 871150020801915  
 Order product name MASTERCLOUR CDM-T 250W/830 G12 1CT/12  
 EAN/UPC – product 8711500208019  
 Order code 20801915  
 Local Code 250CDMT830  
 Numerator – quantity per pack 1  
 Numerator – packs per outer box 12  
 Material no. (12NC) 928089805131  
 Net weight (piece) 0.039 kg  
 ILCOS Code MT/UB-250/830-H-G12-25/135

## Warnings and Safety

### Dimensional drawing

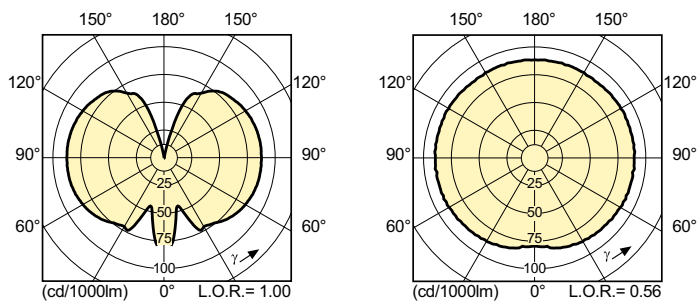


CDM-T 250W/830 G12

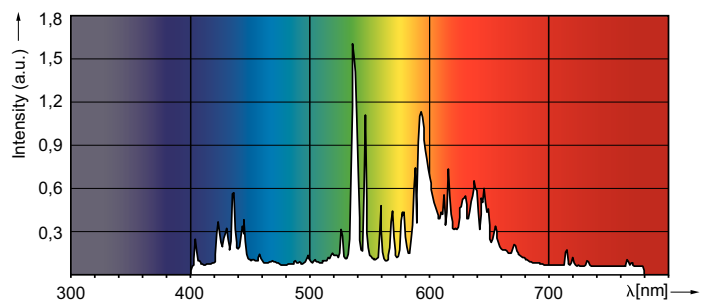
### Product

MASTERCLOUR CDM-T 250W/830 G12 1CT/12

### Photometric data



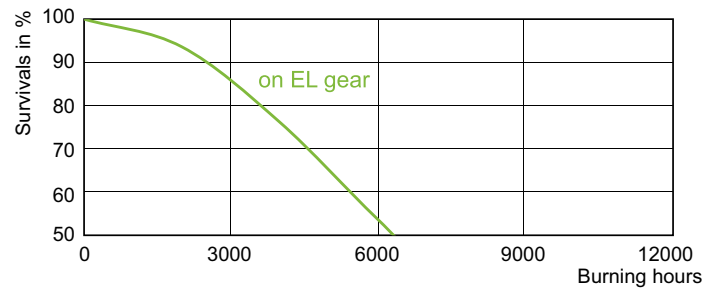
LDLD\_CDM-T\_0007-Light distribution diagram



LDPO\_CDM-T\_250W\_830-Spectral power distribution Colour

# MASTERCcolour CDM-T

## Lifetime



LDLE\_CDM-T\_250W\_830-Life expectancy diagram

