



MASTER CosmoWhite CPO-TW & CPO-TW Xtra

MASTER CosmoWhite CPO-TW Xtra 60W/728 PGZ12

New-generation ceramic metal halide lamps used in Outdoor offering efficient and pleasant white light

Product data

General Information	
Cap base	PGZ12 [PGZ12]
Operating position	UNIVERSAL [Any/Universal]
Life to 5% failures (nom.)	21500 h
Life to 10% failures (nom.)	24000 h
Life to 20% failures (nom.)	27000 h
Life to 50% failures (nom.)	32000 h
ANSI code HID	C187/E
LSF 2000 h Rated	99 %
LSF 4000 h Rated	99 %
LSF 6000 h Rated	99 %
LSF 8000 h Rated	99 %
LSF 12000 h Rated	99 %
LSF 16000 h Rated	99 %
LSF 20000 h Rated	97 %
LSF 24000 h Rated	90 %
LSF 30000 h Rated	63 %

Light Technical	
Colour code	728 [CCT of 2,800 K]
Luminous flux (rated) (nom.)	7200 lm
Colour designation	White (WH)
Chromaticity coordinate X (nom.)	453
Chromaticity coordinate Y (nom.)	405
Luminous efficacy (rated) (nom.)	120 lm/W
Color rendering index (min.)	70
Color rendering index (nom.)	73
LLMF 2000 h Rated	92 %
LLMF 4000 h Rated	90 %
LLMF 6000 h Rated	90 %
LLMF 8000 h Rated	90 %
LLMF 12000 h Rated	89 %
LLMF 16000 h Rated	87 %
LLMF 20000 h Rated	86 %
LLMF 24000 h Rated	84 %
LLMF 30000 h Rated	82 %

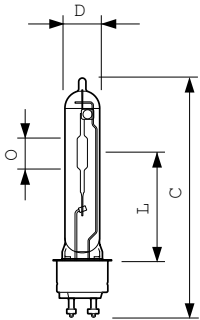
MASTER CosmoWhite CPO-TW & CPO-TW Xtra

Ratio Scotopic/Photopic Lumens	1.15
Operating and Electrical	
Power (Rated) (Nom)	60.0 W
Ignition peak voltage (max.)	5000 V
Re-ignition time (min.) (max.)	900 s
Ignition time (max.)	30 s
Voltage (Max)	99 V
Voltage (Min)	85 V
Voltage (Nom)	92 V
Controls and Dimming	
Dimmable	yes
Run-up time 90% (max.)	3 min
Mechanical and Housing	
Bulb finish	Clear
Approval and Application	
Energy efficiency label (EEL)	A+
Mercury (Hg) content (nom.)	2.0 mg
Energy Consumption kWh/1000 h	66 kWh

UV	
PET (NIOSH) (min.)	8 h/500lx
PET (NIOSH) (nom.)	19 h/500lx
Damage factor D/fc (nom.)	0.17
Luminaire Design Requirements	
Bulb temperature (max.)	400 °C
Cap base temperature (max.)	300 °C
Product Data	
Full product code	871150020851415
Order product name	MASTER CosmoWhite CPO-TW Xtra 60W/728 PGZ12
EAN/UPC – product	8711500208514
Order code	20851415
Local Code	60CPTW728
Numerator – quantity per pack	1
Numerator – packs per outer box	12
Material no. (12NC)	928088505127
Net weight (piece)	0.034 kg
ILCOS Code	MT-60/728-H-PGZ12-20/132

Warnings and Safety

Dimensional drawing

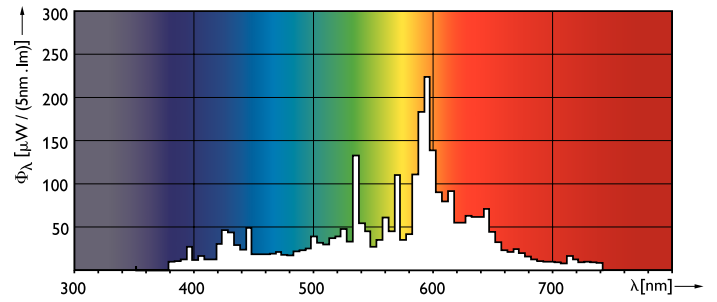
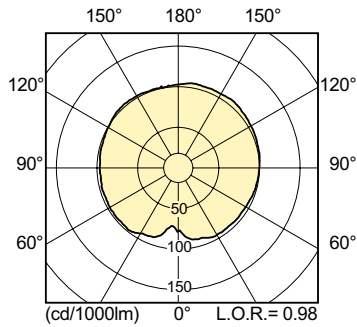


CPO-TW Xtra 60W/728 PGZ12

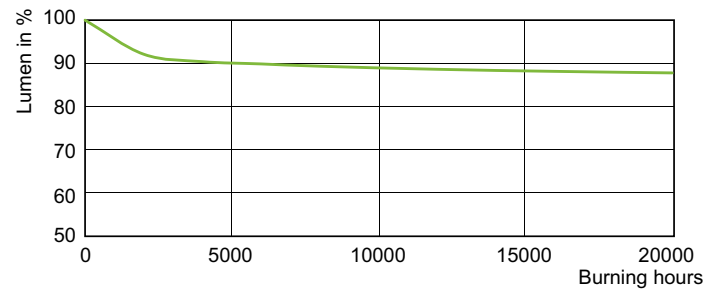
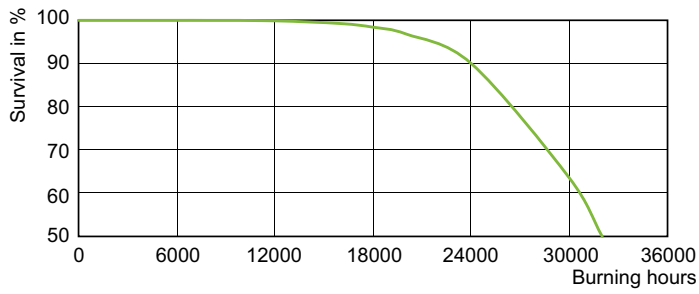
Product
MASTER CosmoWhite CPO-TW Xtra 60W/728 PGZ12

MASTER CosmoWhite CPO-TW & CPO-TW Xtra

Photometric data



Lifetime



LDLE_CPO-TW_0006-Life expectancy diagram

LDLM_CPO-TW_0004-Lumen maintenance diagram

