



MASTER CosmoWhite CPO-TW & CPO-TW Xtra

MASTER CosmoWhite CPO-TW Xtra 90W/728 PGZ12

New-generation ceramic metal halide lamps used in Outdoor offering efficient and pleasant white light

Product data

General Information	
Cap-Base	PGZ12 [PGZ12]
Operating Position	UNIVERSAL [Any or Universal (U)]
Life to 5% Failures (Nom)	21500 h
Life To 10% Failures (Nom)	24000 h
Life to 20% Failures (Nom)	27000 h
Life to 50% Failures (Nom)	32000 h
ANSI Code HID	C188/E
LSF 2000 h Rated	99 %
LSF 4000 h Rated	99 %
LSF 6000 h Rated	99 %
LSF 8000 h Rated	99 %
LSF 12000 h Rated	99 %
LSF 16000 h Rated	99 %
LSF 20000 h Rated	97 %
LSF 24000 h Rated	90 %
LSF 30000 h Rated	63 %

Light Technical	
Color Code	728 [CCT of 2800K]
Luminous Flux (Rated) (Nom)	10800 lm
Color Designation	White (WH)
Chromaticity Coordinate X (Nom)	449
Chromaticity Coordinate Y (Nom)	412
Luminous Efficacy (rated) (Nom)	120 lm/W
Color Rendering Index (Min)	67
Color Rendering Index (Nom)	70
LLMF 2000 h Rated	94 %
LLMF 4000 h Rated	93 %
LLMF 6000 h Rated	93 %
LLMF 8000 h Rated	93 %
LLMF 12000 h Rated	92 %
LLMF 16000 h Rated	91 %
LLMF 20000 h Rated	90 %
Ratio Scotopic/Photopic Lumens	1.15

MASTER CosmoWhite CPO-TW & CPO-TW Xtra

Operating and Electrical

Power (Nom)	90.0 W
Ignition Peak Voltage (Max)	5000 V
Re-Ignition Time (Min) (Max)	900 s
Ignition Time (Max)	30 s
Voltage (Max)	98 V
Voltage (Min)	86 V
Voltage (Nom)	92 V

Controls and Dimming

Dimmable	Yes
Run-Up Time 90% (Max)	4 min

Mechanical and Housing

Bulb Finish	Clear
-------------	-------

Approval and Application

Energy Efficiency Label (EEL)	A+
Mercury (Hg) Content (Nom)	3.0 mg
Energy Consumption kWh/1000 h	99 kWh

UV

Pet (Niosh) (Min)	8 h/500lx
Pet (Niosh) (Nom)	38 h/500lx
Damage Factor D/fc (Nom)	0.18

Luminaire Design Requirements

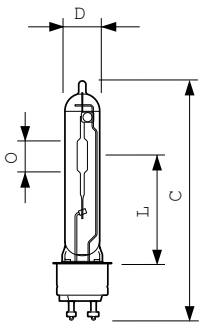
Bulb Temperature (Max)	470 °C
Cap-Base Temperature (Max)	300 °C

Product Data

Full product code	871150021121715
Order product name	MASTER CosmoWhite CPO-TW Xtra 90W/728 PGZ12
EAN/UPC - Product	8711500211217
Order code	928093505127
Numerator - Quantity Per Pack	1
Numerator - Packs per outer box	12
Material Nr. (12NC)	928093505127
Net Weight (Piece)	0.037 kg
ILCOS Code	MT-90/728-H-PGZ12-20/143

Warnings and Safety

Dimensional drawing



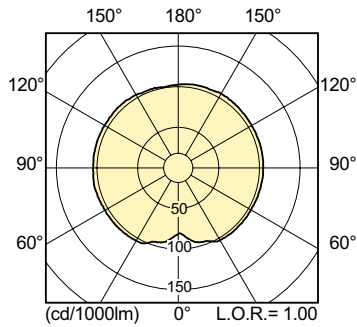
CPO-TW Xtra 90W/728 PGZ12

Product

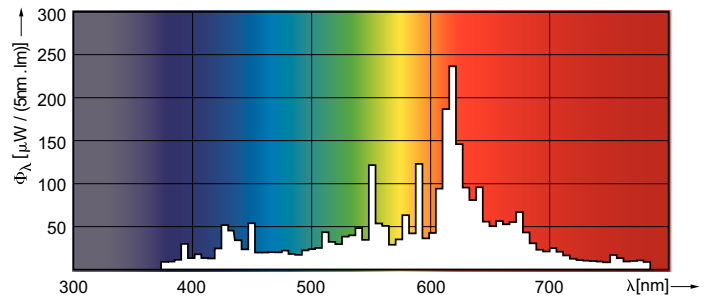
MASTER CosmoWhite CPO-TW Xtra 90W/728 PGZ12

MASTER CosmoWhite CPO-TW & CPO-TW Xtra

Photometric data

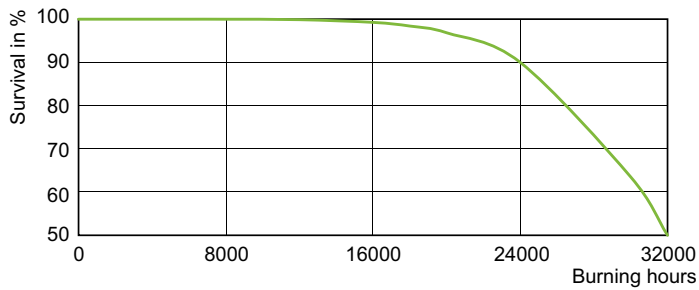


LDLD_CPO-TW_0003-Light distribution diagram

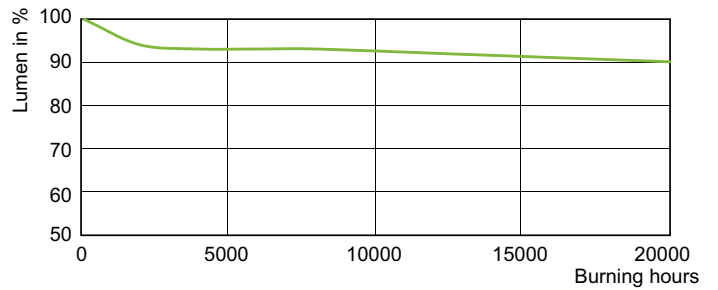


LDPO_CPO-TW_90W_728-Spectral power distribution Colour

Lifetime



LDLE_CPO-TW_0001-Life expectancy diagram



LDLM_CPO-TW_0003-Lumen maintenance diagram

