



MASTERColour CDM-Tm Mini PGJ5

MASTERColour CDM-Tm Mini 35W/930 PGJ5 1CT/12

Mini, single-ended, high-efficiency Ceramic Metal Halide discharge lamp producing crisp white sparkling light

Product data

General Information	
Cap-Base	PGJ5 [PGJ5]
Operating Position	UNIVERSAL [Any or Universal (U)]
Life to 5% Failures (Nom)	9000 h
Life To 10% Failures (Nom)	10000 h
Life to 20% Failures (Nom)	11000 h
Life to 50% Failures (Nom)	12000 h
Light Technical	
Color Code	930 [CCT of 3000K]
Luminous Flux (Rated) (Nom)	3000 lm
Color Designation	Warm White (WW)
Lumen Maintenance 1000 h (Nom)	85 %
Lumen Maintenance 10000 h (Nom)	60 %
Lumen Maintenance 2000 h (Nom)	80 %
Lumen Maintenance 5000 h (Nom)	70 %
Chromaticity Coordinate X (Nom)	0.436
Chromaticity Coordinate Y (Nom)	0.396
Correlated Color Temperature (Nom)	3000 K
Luminous Efficacy (rated) (Nom)	77 lm/W
Color Rendering Index (Min)	88

Color Rendering Index (Nom)	91
Operating and Electrical	
Power (Nom)	39.0 W
Lamp Current Run-Up (Max)	0.7 A
Re-Ignition Time (Min) (Max)	15 min
Ignition Time (Max)	30 s
Voltage (Max)	104 V
Voltage (Min)	88 V
Voltage (Nom)	96 V
Controls and Dimming	
Dimmable	No
Run-Up Time 90% (Max)	3 min
Mechanical and Housing	
Bulb Finish	Clear
Approval and Application	
Energy Efficiency Label (EEL)	A
Mercury (Hg) Content (Nom)	2.74 mg

MASTERC colour CDM-Tm Mini PGJ5

Energy Consumption kWh/1000 h	43 kWh
-------------------------------	--------

UV

Pet (Niosh) (Min)	8 h/500lx
Damage Factor D/fc (Max)	0.4

Luminaire Design Requirements

Bulb Temperature (Max)	480 °C
Cap-Base Temperature (Max)	250 °C

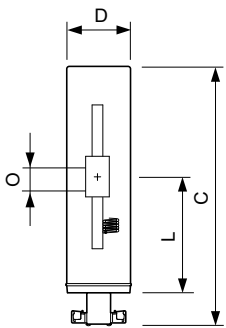
Product Data

Full product code	871150021149115
-------------------	-----------------

Order product name	MASTERC colour CDM-Tm Mini 35W/930 PGJ5 1CT/12
EAN/UPC - Product	8711500211491
Order code	928093905130
Numerator - Quantity Per Pack	1
Numerator - Packs per outer box	12
Material Nr. (12NC)	928093905130
Net Weight (Piece)	0.006 kg
ILCOS Code	MT/UB-35/930-H/L-PGJ5-13.3/52

Warnings and Safety

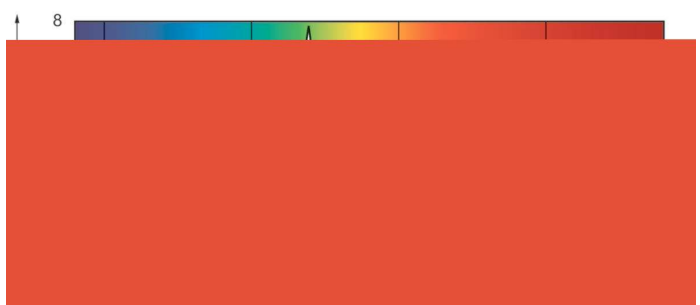
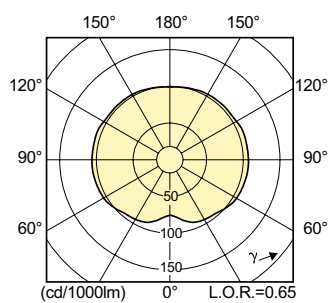
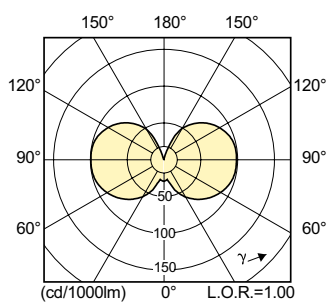
Dimensional drawing



CDM-Tm 35W/930 PGJ5

Product	D (max)	D	O	L (min)	L (max)	L	C (max)
MASTERC colour CDM-Tm Mini 35W/930 PGJ5 1CT/12	13.2 mm	0.44 in	4 mm	22.3 mm	22.9 mm	22.6 mm	52 mm

Photometric data



MASTERCcolour CDM-Tm Mini PGJ5

Lifetime

