



PAR38

PAR38 120W E27 24V SP 10D 1CT/12

Pressed-glass 121 mm diameter reflector lamps of high luminous intensity

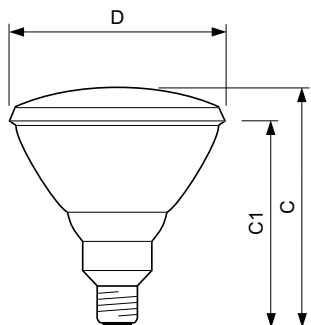
Product data

General Information	
Cap base	E27 [E27]
Operating position	UNIVERSAL [Any/Universal]
Nominal lifetime (nom.)	2000 h
Switching cycle	8000X
Light Technical	
Beam Angle (Nom)	10 °
Luminous flux (rated) (nom.)	1545 lm
Luminous intensity (max.)	23000 cd
Beam description	Spot
Rated beam angle	10 °
Correlated colour temperature (nom.)	2700 K
Color rendering index (nom.)	100
Luminous Flux in 90° Cone (Rated)	1545 lm
Operating and Electrical	
Power (Rated) (Nom)	120.0 W
Starting time (nom.)	0.0 s
Warm-up time to 60% light (nom.)	instant full light
Power factor (nom.)	1
Voltage (Nom)	24 V
Controls and Dimming	
Dimmable	yes

Mechanical and Housing	
Eccentricity (max.)	1.0 mm
Skewness (max.)	2.5 mm
Approval and Application	
Energy efficiency label (EEL)	C
Energy Consumption kWh/1000 h	127 kWh
Product Data	
Full product code	871150038073915
Order product name	PAR38 120W E27 24V SP 10D 1CT/12
EAN/UPC – product	8711500380739
Order code	38073915
Local Code	24120ESPAR38
Numerator – quantity per pack	1
Numerator – packs per outer box	12
Material no. (12NC)	923810020511
Net weight (piece)	319.000 g
ILCOS Code	IPAR-120-24-E27-121/10

PAR38

Dimensional drawing

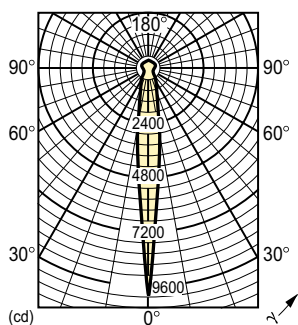


Product

PAR38 120W E27 24V SP 10D 1CT/12

PAR38 120W E27 24V SP

Photometric data



LDLD_IPAR38-E_120W_SP-Light distribution diagram

