



# Twistline Alu 2000 hours

## Twistline Alu 2000h 50W GU10 230V 20D 1CT/10X5F

Mains-voltage halogen burner in glass reflector. Ideal solution for small decorative luminaires, putting your objects in a superior-quality spot light. Aluminum coating prevents heat in the backlight.

### Product data

General Information	
Cap-Base	GU10 [ GU10]
Philips Code	NA [ -]
Operating Position	UNIVERSAL [ Any or Universal (U)]
Nominal Lifetime (Nom)	2000 h
Switching Cycle	8000X
Light Technical	
Beam Angle (Nom)	20 °
Luminous Flux (Rated) (Nom)	330 lm
Luminous Intensity (Max)	1000 cd
Rated Beam Angle	20 °
Correlated Color Temperature (Nom)	2800 K
Color Rendering Index (Nom)	100
LLMF at End of Nominal Lifetime (Min)	80 %
Luminous Flux in 90° Cone (Rated)	330 lm
Operating and Electrical	
Power (Rated) (Nom)	50.0 W
Starting Time (Nom)	0.0 s

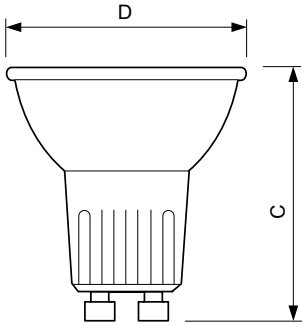
Warm Up Time to 60% Light (Nom)	instant full light
Power Factor (Nom)	1
Voltage (Nom)	230 V
Controls and Dimming	
Dimmable	Yes
Mechanical and Housing	
Bulb Finish	Clear
Approval and Application	
Energy Efficiency Label (EEL)	D
Energy Consumption kWh/1000 h	50 kWh
Product Data	
Full product code	871150042847960
Order product name	Twistline Alu 2000h 50W GU10 230V 20D 1CT/10X5F
EAN/UPC - Product	8711500428479
Order code	924887244225

## Twistline Alu 2000 hours

Numerator - Quantity Per Pack	1
Numerator - Packs per outer box	50
Material Nr. (12NC)	924887244225
Net Weight (Piece)	0.008 kg

ILCOS Code	HAGS-35-230-GU10-51/20
------------	------------------------

### Dimensional drawing



TWIST Alu 50W GU10 230V 20D

Product	D (max)	C (max)
Twistline Alu 2000h 50W GU10 230V 20D 1CT/10X5F	50.7 mm	51 mm

### Photometric data

