



PrimaVision Compact for CDM

HID-PV C 70 /S CDM 220-240V 50/60Hz

High-quality, compact and lightweight HID electronic gear for optimal and reliable performance of 20, 35, 50 and 70 W CDM lamps

Product data

General Information		Inrush current peak (max.)	
Type version	ng		33 A
Lamp type	CDM	Wiring	
Number of lamps	1 piece/unit	Cable capacity output wires mutual (nom.)	100 pF
Suitable for outdoor use	No	Cable length from device to lamp	1.5 m
Number of products on MCB (16 A type B) (nom.)	20	Ballast contact wire cross section	0.50-2.50 mm ²
Automatic restart	Yes	Connector type	Insert
Operating and Electrical		System characteristics	
Input voltage	220 to 240 V	Rated ballast-lamp power	70 W
Input frequency	50 to 60 Hz	Temperature	
Operating frequency (nom.)	0.14 kHz	T ambient (max.)	50 °C
Power factor 100% load (nom.)	0.95	T ambient (min.)	-20 °C
Ignition voltage (max.)	4.0 kV	T storage (max.)	80 °C
Ignition switch-off time (nom.)	18 min	T storage (min.)	-25 °C
Mains voltage performance (AC)	-10% - +6%	T case lifetime (nom.)	80 °C
Mains voltage safety (AC)	-18% - +10%	T-Case maximum (max.)	80 °C
Inrush current width	0.33 ms	Mechanical and Housing	
Constant wattage deviation	-3% / +3%	Housing	/S
Power losses (nom.)	7.0 W		

PrimaVision Compact for CDM

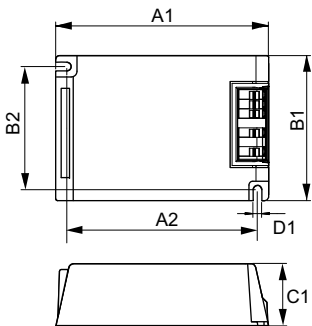
Approval and Application

Active temperature protection	Yes
EMI 9 kHz... 300 MHz	CISPR 15 ed 7.2
Safety standard	EN 61347-2-12
Quality standard	ISO 9000:2000
Environmental standard	ISO 14001
Harmonic current emission standard	EN 61000-3-2
EMC immunity standard	EN 61547
Vibration standard	IEC68-2-6 F c
Bumps standard	IEC 68-2-29 Eb
Humidity standard	IEC 928-13
Approval marks	CE marking ENEC certificate
Humming and noise level	37 dB(A)

Product Data

Full product code	872790085974400
Order product name	HID-PV C 70 /S CDM 220-240V 50/60Hz NG
EAN/UPC – product	8711500881694
Order code	85974400
Local Code	PVC070SCDM
Numerator – quantity per pack	1
Numerator – packs per outer box	12
Material no. (12NC)	913700652966
Net weight (piece)	0.216 kg

Dimensional drawing



HID-PV C 70 /S CDM 220-240V 50/60Hz NG

Product

HID-PV C 70 /S CDM 220-240V 50/60Hz NG

