



PL-S Blacklight Blue

PL-S 9W BLB/4P 1CT/6X10CC

PL-S Blacklight Blue is a special low-wattage compact fluorescent lamp emitting long wave UV radiation for detection and analysis purposes in archaeology, money checking, forensic science, food industry, medicine, mineralogy, philately as well for special effects in night clubs, discos, theatres and sign lighting. The 2-pin version is designed for operation on electromagnetic gear, the 4-pin version is designed for operation on electronic gear. Both versions are provided with a plug-in/pull-out lamp base.

Product data

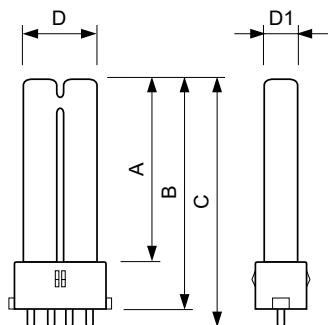
General Information	
Cap-Base	2G7 [2G7]
Main Application	Blacklight Blue
Useful Life (Nom)	8000 h
Light Technical	
Colour Code	108 [08 lead free glass]
Colour Designation	Blacklight Blue
Depreciation 2000 hrs	20 %
Depreciation 5000 hrs	30 %
Operating and Electrical	
Power (Rated) (Nom)	8.6 W
Lamp Current (Nom)	0.17 A
Voltage (Nom)	60 V
Mechanical and Housing	
Cap-Base Information	4 Pins (4P)

Approval and Application	
Mercury (Hg) Content (Nom)	3.0 mg
UV	
UV-B/UV-A (IEC)	0.2 %
Product Data	
Full product code	871150095093280
Order product name	PL-S 9W BLB/4P 1CT/6X10CC
EAN/UPC - Product	8711500950932
Order code	95093280
Numerator - Quantity Per Pack	1
Numerator - Packs per outer box	60
Material Nr. (12NC)	927901910807
Net Weight (Piece)	29.500 g

Warnings and Safety

PL-S Blacklight Blue

Dimensional drawing



Product

PL-S 9W BLB/4P 1CT/6X10CC

PL-S 9W/108/4P

