



# MASTER CityWhite CDO-TT

## MASTER CityWhite CDO-TT Plus 100W/828 E40

Ceramic metal halide lamp with clear tubular outer bulb shape, used in outdoor offering pleasant white light

### Product data

General Information	
Cap base	E40 [ E40]
Operating position	UNIVERSAL [ Any/Universal]
Life to 5% failures (nom.)	18000 h
Life to 10% failures (nom.)	20000 h
Life to 20% failures (nom.)	22500 h
Life to 50% failures (nom.)	27000 h
LSF 2000 h Rated	99 %
LSF 4000 h Rated	99 %
LSF 6000 h Rated	99 %
LSF 8000 h Rated	99 %
LSF 12000 h Rated	99 %
LSF 16000 h Rated	97 %
LSF 20000 h Rated	90 %
Light Technical	
Colour code	828 [ CCT of 2,800 K]
Luminous flux (rated) (nom.)	10500 lm
Colour designation	Warm white (WW)
Chromaticity coordinate X (nom.)	445
Chromaticity coordinate Y (nom.)	395
Correlated colour temperature (nom.)	2800 K

Luminous efficacy (rated) (nom.)	108 lm/W
Color rendering index (nom.)	88
LLMF 2000 h Rated	95 %
LLMF 4000 h Rated	92 %
LLMF 6000 h Rated	90 %
LLMF 8000 h Rated	88 %
LLMF 12000 h Rated	85 %
LLMF 16000 h Rated	82 %
LLMF 20000 h Rated	80 %
Ratio Scotopic/Photopic Lumens	1.30

Operating and Electrical	
Power (Rated) (Nom)	97.0 W
Lamp current run-up (max.)	2.2 A
Lamp current (EM) (nom.)	1.2 A
Ignition peak voltage (max.)	5000 V
Ignition supply voltage (min.)	198 V
Re-ignition time (min.) (max.)	900 s
Ignition time (max.)	30 s
Voltage (Max)	105 V
Voltage (Min)	89 V

# MASTER CityWhite CDO-TT

Voltage (Nom)	97 V
<b>Controls and Dimming</b>	
Dimmable	yes
Run-up time 90% (max.)	2 min
<b>Mechanical and Housing</b>	
Bulb finish	Clear
<b>Approval and Application</b>	
Energy efficiency label (EEL)	A+
Mercury (Hg) content (nom.)	11.6 mg
Energy Consumption kWh/1000 h	107 kWh
<b>UV</b>	
PET (NIOSH) (min.)	8 h/500lx

## Luminaire Design Requirements

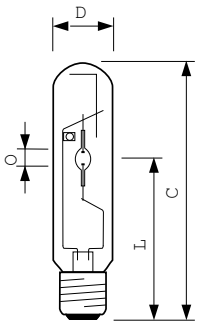
Bulb temperature (max.)	450 °C
Cap base temperature (max.)	250 °C

## Product Data

Full product code	871829112032200
Order product name	MASTER CityWhite CDO-TT Plus 100W/828 E40
EAN/UPC – product	8718291120322
Order code	12032200
Local Code	100CDOOTPLUS828
Numerator – quantity per pack	1
Numerator – packs per outer box	12
Material no. (12NC)	928082119231
Net weight (piece)	0.137 kg
ILCOS Code	MT-100/828-H-E40-48/211

## Warnings and Safety

### Dimensional drawing

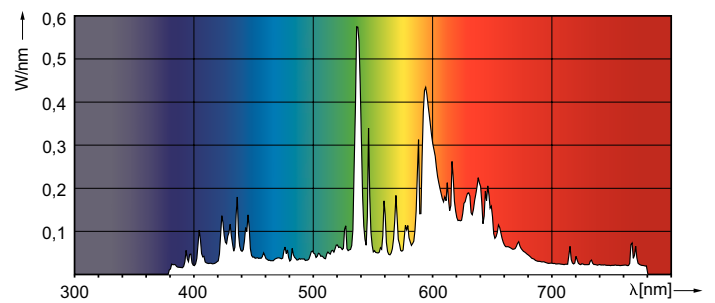
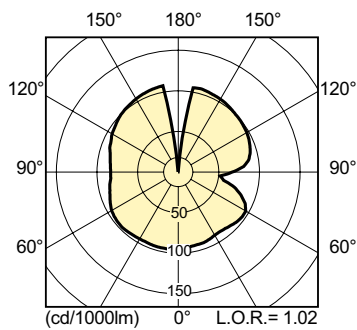


CDO-TT Plus 100W/828 E40

### Product

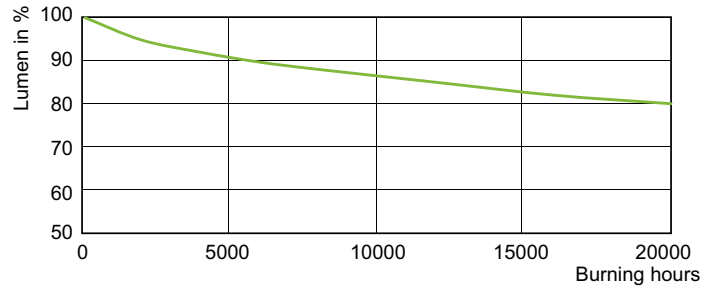
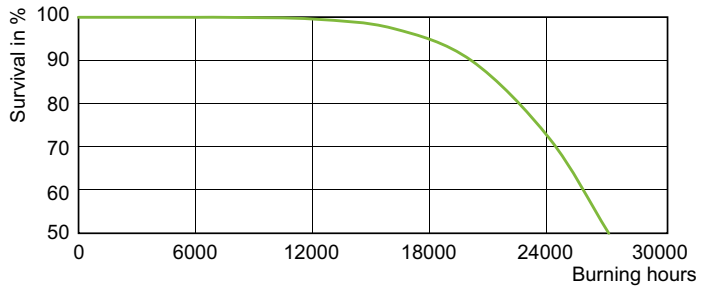
MASTER CityWhite CDO-TT Plus 100W/828 E40

### Photometric data



# MASTER CityWhite CDO-TT

## Lifetime



LDLE\_CDO-TT\_0002-Life expectancy diagram

LDLM\_CDO-TT\_0002-Lumen maintenance diagram

