



MASTER CityWhite CDO-TT

MASTER CityWhite CDO-TT Plus 150W/828 E40

Ceramic metal halide lamp with clear tubular outer bulb shape, used in outdoor offering pleasant white light

Product data

General Information		Luminous efficacy (rated) (nom.)	
Cap base	E40 [E40]	Luminous efficacy (rated) (nom.)	110 lm/W
Operating position	UNIVERSAL [Any/Universal]	Color rendering index (nom.)	87
Life to 5% failures (nom.)	18000 h	LLMF 2000 h Rated	95 %
Life to 10% failures (nom.)	20000 h	LLMF 4000 h Rated	92 %
Life to 20% failures (nom.)	22500 h	LLMF 6000 h Rated	90 %
Life to 50% failures (nom.)	27000 h	LLMF 8000 h Rated	88 %
LSF 2000 h Rated	99 %	LLMF 12000 h Rated	85 %
LSF 4000 h Rated	99 %	LLMF 16000 h Rated	82 %
LSF 6000 h Rated	99 %	LLMF 20000 h Rated	80 %
LSF 8000 h Rated	99 %	Ratio Scotopic/Photopic Lumens	1.30
LSF 12000 h Rated	99 %	Operating and Electrical	
LSF 16000 h Rated	97 %	Power (Rated) (Nom)	148.0 W
LSF 20000 h Rated	90 %	Lamp current run-up (max.)	3.0 A
Light Technical		Lamp current (EM) (nom.)	1.8 A
Colour code	828 [CCT of 2,800 K]	Ignition peak voltage (max.)	5000 V
Luminous flux (rated) (nom.)	16500 lm	Ignition supply voltage (min.)	198 V
Colour designation	Warm white (WW)	Re-ignition time (min.) (max.)	900 s
Chromaticity coordinate X (nom.)	445	Ignition time (max.)	30 s
Chromaticity coordinate Y (nom.)	395	Voltage (Max)	106 V
Correlated colour temperature (nom.)	2800 K	Voltage (Min)	90 V

MASTER CityWhite CDO-TT

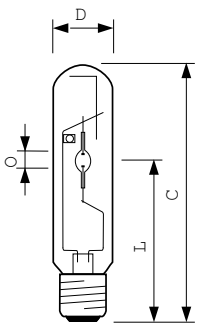
Voltage (Nom)	98 V
Controls and Dimming	
Dimmable	yes
Run-up time 90% (max.)	3 min
Mechanical and Housing	
Bulb finish	Clear (CL)
Approval and Application	
Energy efficiency label (EEL)	A+
Mercury (Hg) content (nom.)	15.8 mg
Energy Consumption kWh/1000 h	163 kWh
UV	
PET (NIOSH) (min.)	8 h/500lx

Luminaire Design Requirements	
Bulb temperature (max.)	450 °C
Cap base temperature (max.)	250 °C
Product Data	
Full product code	871829112034600
Order product name	MASTER CityWhite CDO-TT Plus 150W/828 E40
EAN/UPC – product	8718291120346
Order code	12034600
Local Code	150CDDOTPLUS828
Numerator – quantity per pack	1
Numerator – packs per outer box	12
Material no. (12NC)	928082219231
Net weight (piece)	0.135 kg
ILCOS Code	MT/UB-150/828-H-E40-48/211

Warnings and Safety

- Use only in totally enclosed luminaire, even during testing (IEC61167, IEC 62035, IEC60598)
- The luminaire must be able to contain hot lamp parts if the lamp ruptures
- Lamps may use electronic or electromagnetic control gear
- Control gear must include end-of-life protection (IEC61167, IEC 62035)

Dimensional drawing

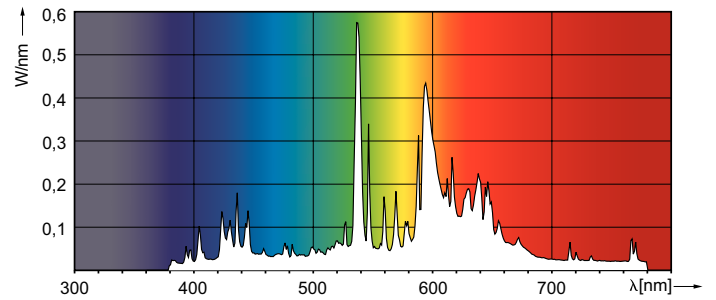
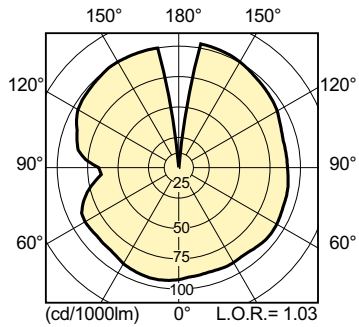


CDO-TT Plus 150W/828 E40

Product	D (max)	O	L	C (max)
MASTER CityWhite CDO-TT Plus 150W/828 E40	47 mm	10 mm	132 mm	211 mm

MASTER CityWhite CDO-TT

Photometric data



Lifetime

