

**PHILIPS**

Lighting



# MASTER CosmoWhite CPO-TW & CPO-TW Xtra

## MASTER CosmoWhite CPO-TW 140W/840 PGZ12 1CT

New-generation ceramic metal halide lamps used in Outdoor offering efficient and pleasant white light

### Product data

General Information		Operating and Electrical	
Cap-Base	PGZ12 [ PGZ12]	Chromaticity Coordinate X (Nom)	385
Operating Position	UNIVERSAL [ Any or Universal (U)]	Chromaticity Coordinate Y (Nom)	400
Life to 5% Failures (Nom)	11000 h	Luminous Efficacy (rated) (Nom)	115 lm/W
Life To 10% Failures (Nom)	12000 h	Color Rendering Index (Min)	77
Life to 20% Failures (Nom)	13000 h	Color Rendering Index (Nom)	80
Life to 50% Failures (Nom)	15000 h	LLMF 2000 h Rated	98 %
ANSI Code HID	C189/E	LLMF 4000 h Rated	95 %
LSF 2000 h Rated	99 %	LLMF 6000 h Rated	94 %
LSF 4000 h Rated	99 %	LLMF 8000 h Rated	94 %
LSF 6000 h Rated	99 %	LLMF 12000 h Rated	90 %
LSF 8000 h Rated	98 %	Ratio Scotopic/Photopic Lumens	1.65
LSF 12000 h Rated	90 %		
LSF 16000 h Rated	30 %		
Light Technical			
Color Code	840 [ CCT of 4000K]	Power (Nom)	140.0 W
Luminous Flux (Rated) (Nom)	16100 lm	Ignition Peak Voltage (Max)	5000 V
Color Designation	White (WH)	Re-Ignition Time (Min) (Max)	900 s
		Ignition Time (Max)	30 s
		Voltage (Max)	105 V
		Voltage (Min)	93 V

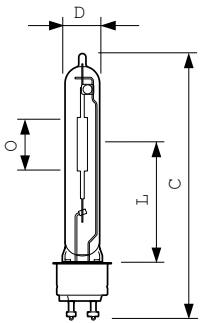
# MASTER CosmoWhite CPO-TW & CPO-TW Xtra

Voltage (Nom)	99 V
<b>Controls and Dimming</b>	
Dimmable	Yes
Run-Up Time 90% (Max)	4 min
<b>Mechanical and Housing</b>	
Bulb Finish	Clear
<b>Approval and Application</b>	
Energy Efficiency Label (EEL)	A+
Mercury (Hg) Content (Nom)	2.0 mg
Energy Consumption kWh/1000 h	154 kWh
<b>UV</b>	
Pet (Niosh) (Min)	8 h/500lx
Pet (Niosh) (Nom)	38 h/500lx
Damage Factor D/fc (Nom)	0.21

<b>Luminaire Design Requirements</b>	
Bulb Temperature (Max)	550 °C
Cap-Base Temperature (Max)	300 °C
<b>Product Data</b>	
Full product code	871829113791700
Order product name	MASTER CosmoWhite CPO-TW 140W/840 PGZ12 1CT
EAN/UPC - Product	8718291137917
Order code	928095205127
Numerator - Quantity Per Pack	1
Numerator - Packs per outer box	12
Material Nr. (12NC)	928095205127
Net Weight (Piece)	0.040 kg
ILCOS Code	MT-140/840-H-PGZ12-20/150

## Warnings and Safety

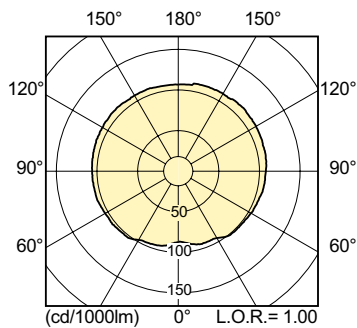
## Dimensional drawing



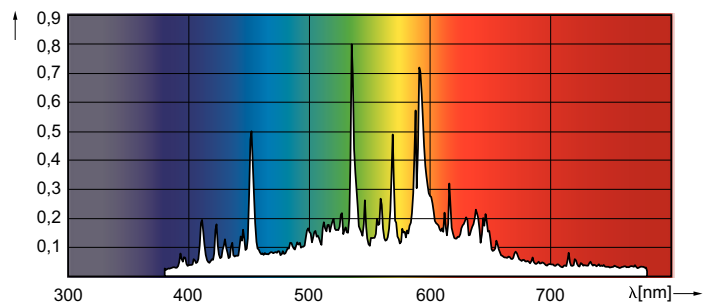
CPO-TW 140W/840 PGZ12

<b>Product</b>
MASTER CosmoWhite CPO-TW 140W/840 PGZ12 1CT

## Photometric data

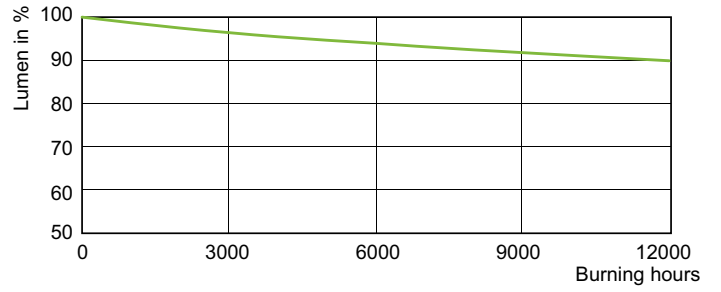
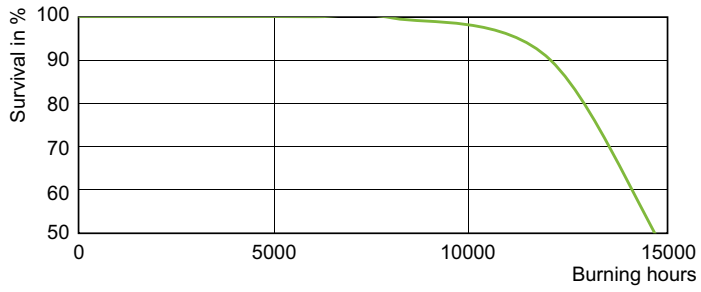


LDLD\_CPO-TW\_0004-Light distribution diagram



# MASTER CosmoWhite CPO-TW & CPO-TW Xtra

## Lifetime



LDLE\_CPO-TW\_0005-Life expectancy diagram

