



MASTER CityWhite CDO-ET

MASTER CityWhite CDO-ET Plus 70W/828 E27

Ceramic metal halide lamp, with opalized ovoid outer bulb shape, used in outdoor offering pleasant white light

Product data

General Information	
Cap base	E27 [E27]
Operating position	UNIVERSAL [Any/Universal]
Life to 5% failures (nom.)	9500 h
Life to 10% failures (nom.)	12000 h
Life to 20% failures (nom.)	16500 h
Life to 50% failures (nom.)	27000 h
LSF 2000 h Rated	99 %
LSF 4000 h Rated	99 %
LSF 6000 h Rated	98 %
LSF 8000 h Rated	96 %
LSF 12000 h Rated	90 %
LSF 16000 h Rated	81 %
LSF 20000 h Rated	71 %
Light Technical	
Colour code	828 [CCT of 2,800 K]
Luminous flux (rated) (nom.)	7050 lm
Colour designation	Warm white (WW)
Chromaticity coordinate X (nom.)	438
Chromaticity coordinate Y (nom.)	398
Correlated colour temperature (nom.)	2900 K

Luminous efficacy (rated) (nom.)	100 lm/W
Color rendering index (nom.)	87
LLMF 2000 h Rated	97 %
LLMF 4000 h Rated	93 %
LLMF 6000 h Rated	89.5 %
LLMF 8000 h Rated	86 %
LLMF 12000 h Rated	80.5 %
LLMF 16000 h Rated	76.5 %
LLMF 20000 h Rated	73.5 %
Ratio Scotopic/Photopic Lumens	1.30
Operating and Electrical	
Power (Rated) (Nom)	70,5 W
Lamp current run-up (max.)	1.96 A
Lamp current (EM) (nom.)	0.98 A
Ignition supply voltage (max.)	198 V
Ignition peak voltage (max.)	2500 V
Ignition supply voltage (min.)	198 V
Re-ignition time (min.) (max.)	720 s
Ignition time (max.)	30 s
Voltage (Max)	96 V
Voltage (Min)	80 V

MASTER CityWhite CDO-ET

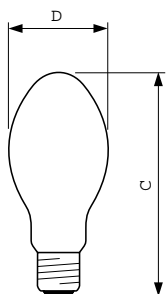
Voltage (Nom)	88 V
Controls and Dimming	
Dimmable	yes
Run-up time 90% (max.)	3 min
Mechanical and Housing	
Bulb finish	Coated [Coated glass (CO)]
Approval and Application	
Energy efficiency label (EEL)	A+
Mercury (Hg) content (nom.)	7.8 mg
Energy Consumption kWh/1000 h	78 kWh
UV	
PET (NIOSH) (min.)	8 h/500lx

Luminaire Design Requirements	
Bulb temperature (max.)	350 °C
Cap base temperature (max.)	200 °C
Product Data	
Full product code	871829115875200
Order product name	MASTER CityWhite CDO-ET Plus 70W/828 E27
EAN/UPC – product	8718291158752
Order code	15875200
Local Code	CDOET70828PLUS
Numerator – quantity per pack	1
Numerator – packs per outer box	24
Material no. (12NC)	928154708835
Net weight (piece)	57.000 g
ILCOS Code	ME70/28/1B-H-E27

Warnings and Safety

- Use only in totally enclosed luminaire, even during testing (IEC61167, IEC 62035, IEC60598)
- The luminaire must be able to contain hot lamp parts if the lamp ruptures
- Lamps may use electronic or electromagnetic control gear
- Control gear must include end-of-life protection (IEC61167, IEC 62035)

Dimensional drawing

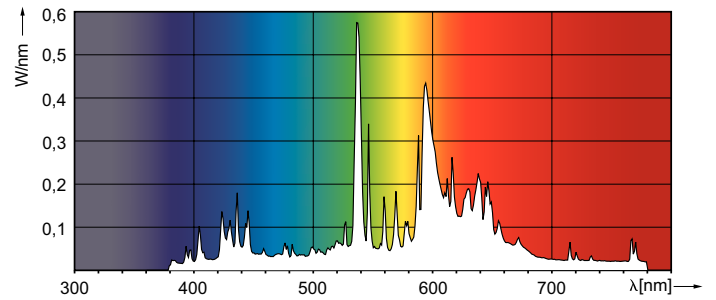
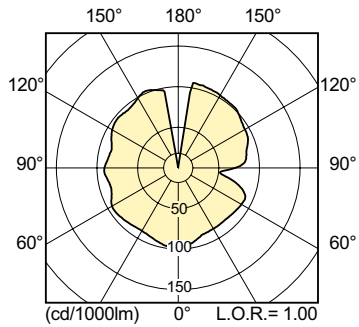


CDO-ET Plus 70W/828 E27

Product	D (max)	C (max)
MASTER CityWhite CDO-ET Plus 70W/828 E27	71 mm	156 mm

MASTER CityWhite CDO-ET

Photometric data



Lifetime

