



MASTER CityWhite CDO-ET

MASTER CityWhite CDO-ET Plus 100W/828 E40

Ceramic metal halide lamp, with opalized ovoid outer bulb shape, used in outdoor offering pleasant white light

Product data

General Information	
Cap-Base	E40 [E40]
Operating Position	UNIVERSAL [Any or Universal (U)]
Life to 5% Failures (Nom)	18000 h
Life To 10% Failures (Nom)	20000 h
Life to 20% Failures (Nom)	22500 h
Life to 50% Failures (Nom)	27000 h
LSF 2000 h Rated	99 %
LSF 4000 h Rated	99 %
LSF 6000 h Rated	99 %
LSF 8000 h Rated	99 %
LSF 12000 h Rated	99 %
LSF 16000 h Rated	97 %
LSF 20000 h Rated	90 %

Light Technical	
Color Code	828 [CCT of 2800K]
Luminous Flux (Rated) (Nom)	9400 lm
Color Designation	Warm White (WW)
Chromaticity Coordinate X (Nom)	444
Chromaticity Coordinate Y (Nom)	403
Correlated Color Temperature (Nom)	2890 K

Luminous Efficacy (rated) (Nom)	100 lm/W
Color Rendering Index (Nom)	87
LLMF 2000 h Rated	95 %
LLMF 4000 h Rated	92 %
LLMF 6000 h Rated	90 %
LLMF 8000 h Rated	88 %
LLMF 12000 h Rated	85 %
LLMF 16000 h Rated	82 %
LLMF 20000 h Rated	80 %
Ratio Scotopic/Photopic Lumens	1.30

Operating and Electrical	
Power (Nom)	94.0 W
Lamp Current Run-Up (Max)	2.2 A
Lamp Current (EM) (Nom)	1.24 A
Ignition Supply Voltage (Max)	198 V
Ignition Peak Voltage (Max)	5000 V
Ignition Supply Voltage (Min)	198 V
Re-Ignition Time (Min) (Max)	900 s
Ignition Time (Max)	30 s
Voltage (Max)	98 V
Voltage (Min)	82 V

MASTER CityWhite CDO-ET

Voltage (Nom)	90 V
Controls and Dimming	
Dimmable	Yes
Run-Up Time 90% (Max)	2 min
Mechanical and Housing	
Bulb Finish	Coated glass
Approval and Application	
Energy Efficiency Label (EEL)	A+
Mercury (Hg) Content (Nom)	11.6 mg
Energy Consumption kWh/1000 h	103 kWh
UV	
Pet (Niosh) (Min)	8 h/500lx

Luminaire Design Requirements	
Bulb Temperature (Max)	450 °C
Cap-Base Temperature (Max)	250 °C
Product Data	
Full product code	871829115877600
Order product name	MASTER CityWhite CDO-ET Plus 100W/828 E40
EAN/UPC - Product	8718291158776
Order code	928154808835
Numerator - Quantity Per Pack	1
Numerator - Packs per outer box	12
Material Nr. (12NC)	928154808835
Net Weight (Piece)	0.130 kg
ILCOS Code	ME100/28/1B-H-E40

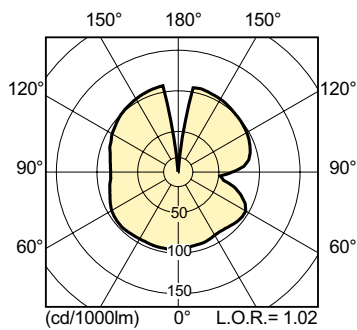
Warnings and Safety

Dimensional drawing

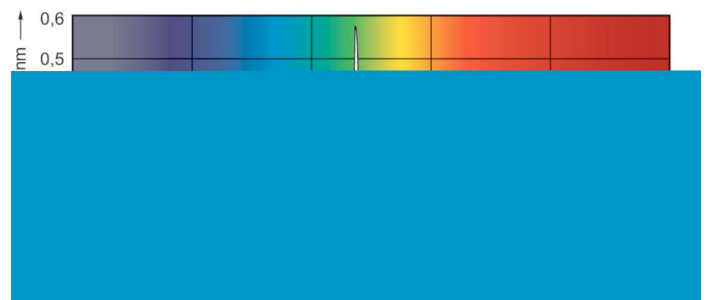
Product	D (max)	C (max)
MASTER CityWhite CDO-ET Plus 100W/828 E40	76 mm	186 mm

CDO-ET Plus 100W/828 E40

Photometric data

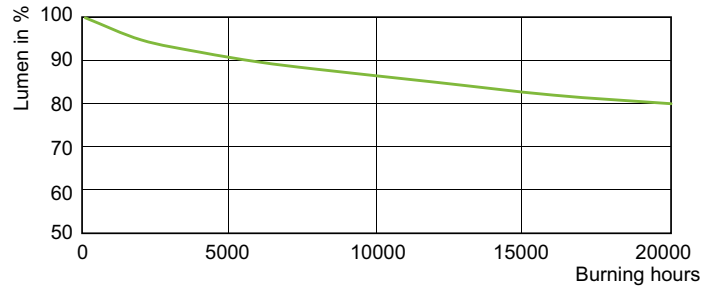


LDLD_CDO-ET_0002-Light distribution diagram



MASTER CityWhite CDO-ET

Lifetime



LDLM_CDO-ET_0002-Lumen maintenance diagram

