



# MASTERColour CDM-Rm Elite Mini

## MASTERColour CDM-Rm Elite Mini 35W/930 GX10 MR16 10D

Mini, very high-efficiency Ceramic Metal Halide discharge reflector lamp producing crisp white sparkling light with high color rendering

### Product data

General Information			
Cap-Base	GX10 [ GX10]	Lumen Maintenance 4000 h (Nom)	93 %
Operating Position	UNIVERSAL [ Any or Universal (U)]	Chromaticity Coordinate X (Nom)	0.439
Life to 5% Failures (Nom)	9000 h	Chromaticity Coordinate Y (Nom)	0.403
Life To 10% Failures (Nom)	10000 h	Correlated Color Temperature (Nom)	3000 K
Life to 20% Failures (Nom)	12000 h	Luminous Efficacy (rated) (Nom)	61 lm/W
Life to 50% Failures (Nom)	15000 h	Color Rendering Index (Min)	88
ANSI Code HID	C130/O	Color Rendering Index (Nom)	91
Switching Cycle	1350X	LLMF At End Of Nominal Lifetime (Nom)	80 %
		Luminous Flux in 90° Cone (Rated)	2150 lm
Light Technical		Operating and Electrical	
Color Code	930 [ CCT of 3000K]	Power (Nom)	39 W
Beam Angle (Nom)	10 °	Re-Ignition Time (Min) (Max)	15 min
Beam Angle Technical (Nom)	13 °	Warm Up Time to 60% Light (Nom)	120 s
Beam Angle Technical (Max)	16 °	Ignition Time (Max)	30 s
Beam Angle Technical (Min)	10 °	Voltage (Max)	95 V
Luminous Intensity (Min)	13200 cd	Voltage (Min)	79 V
Luminous Intensity (Nom)	17500 cd	Voltage (Nom)	87 V
Beam Description	-	Controls and Dimming	
Lumen Maintenance 12000 h (Nom)	85 %	Dimmable	No
Lumen Maintenance 2000 h (Nom)	95 %		

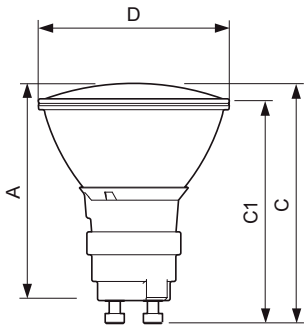
# MASTERColour CDM-Rm Elite Mini

Run-Up Time 90% (Max)	3 min
<b>Approval and Application</b>	
Energy Efficiency Label (EEL)	A
Mercury (Hg) Content (Nom)	4.7 mg
Energy Consumption kWh/1000 h	43 kWh
<b>UV</b>	
Pet (Niosh) (Min)	8 h/500lx
Damage Factor D/fc (Max)	0.4
<b>Luminaire Design Requirements</b>	
Reflector Neck Temperature (Max)	315 °C

<b>Product Data</b>	
Full product code	871829116296400
Order product name	MASTERColour CDM-Rm Elite Mini 35W/930 GX10 MR16 10D
EAN/UPC - Product	8718291162964
Order code	928194605330
Numerator - Quantity Per Pack	1
Numerator - Packs per outer box	12
Material Nr. (12NC)	928194605330
Net Weight (Piece)	0.048 kg
ILCOS Code	MRS/UB-35/930-H-GX10-51/54.5/10

## Warnings and Safety

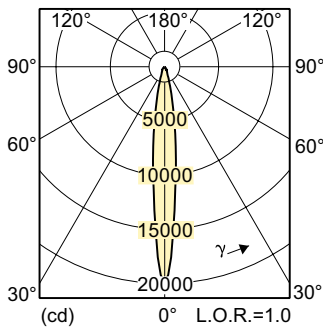
### Dimensional drawing



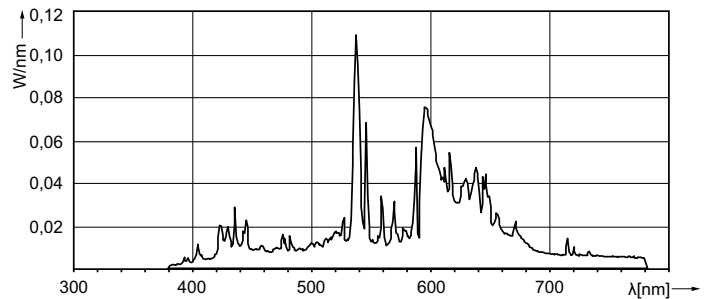
CDM-Rm 35W/930 GX10 MR16 10D

<b>Product</b>
MASTERColour CDM-Rm Elite Mini 35W/930 GX10 MR16 10D

### Photometric data

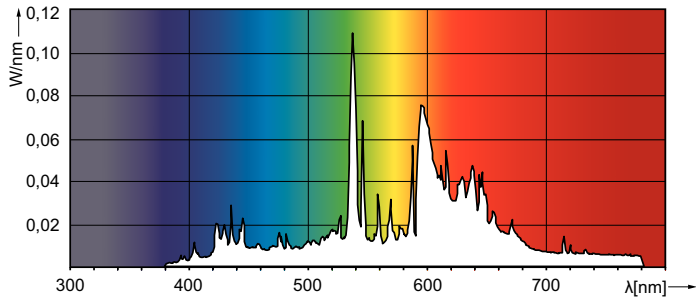


LDLD\_CDM-Rm\_35W\_930\_10D-Light distribution diagram

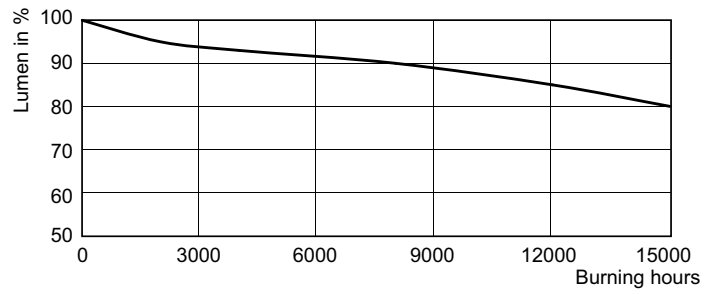
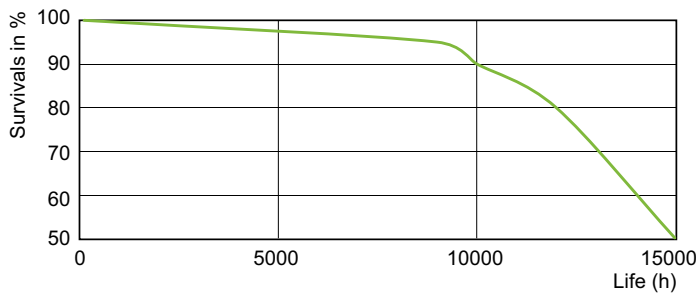


# MASTERCoulour CDM-Rm Elite Mini

## Photometric data



## Lifetime



LDLE\_CDM-Rm\_35W\_930-Life expectancy diagram

CDM-Rm 20W, 35W GX10 MR16

