

**PHILIPS**

Lighting



# MASTERColour CDM-Rm Elite Mini

## MASTERColour CDM-Rm Elite Mini 35W/930 GX10 MR16 40D

Mini, very high-efficiency Ceramic Metal Halide discharge reflector lamp producing crisp white sparkling light with high colour rendering

### Product data

General Information	
Cap base	GX10 [ GX10]
Operating position	UNIVERSAL [ Any/Universal]
Life to 5% failures (nom.)	9000 h
Life to 10% failures (nom.)	10000 h
Life to 20% failures (nom.)	12000 h
Life to 50% failures (nom.)	15000 h
ANSI code HID	C130/O
Switching cycle	1350X

Light Technical	
Colour code	930 [ CCT of 3.000 K]
Beam Angle (Nom)	40 °
Beam angle technical	42 °
Beam angle technical	50 °
Beam angle technical	34 °
Luminous intensity (min.)	2700 cd
Luminous intensity (nom.)	3600 cd
Beam description	-
Lumen maintenance 12,000 hours (nom.)	85 %
Lumen maintenance 2,000 hours (nom.)	95 %

Lumen maintenance 4,000 hours (nom.)	93 %
Chromaticity coordinate X (nom.)	0.439
Chromaticity coordinate Y (nom.)	0.403
Correlated colour temperature (nom.)	3000 K
Luminous efficacy (rated) (nom.)	61 lm/W
Color rendering index (min.)	88
Color rendering index (nom.)	91
LLMF at end of nominal lifetime (nom.)	80 %
Luminous Flux in 90° Cone (Rated)	2150 lm

Operating and Electrical	
Power (Rated) (Nom)	39 W
Re-ignition time (min.) (max.)	15 min
Warm-up time to 60% light (nom.)	120 s
Ignition time (max.)	30 s
Voltage (Max)	95 V
Voltage (Min)	79 V
Voltage (Nom)	87 V

Controls and Dimming	
Dimmable	no

# MASTERCLOUR CDM-Rm Elite Mini

Run-up time 90% (max.)	3 min
------------------------	-------

## Approval and Application

Energy efficiency label (EEL)	A
Mercury (Hg) content (nom.)	4.7 mg
Energy Consumption kWh/1000 h	43 kWh

## UV

PET (NIOSH) (min.)	8 h/500lx
Damage factor D/fc (max.)	0.4

## Luminaire Design Requirements

Reflector neck temperature (max.)	315 °C
-----------------------------------	--------

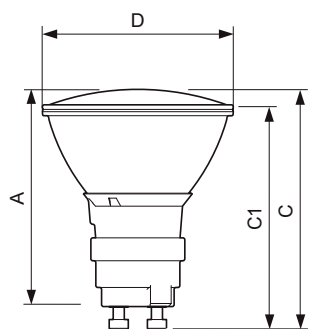
## Product Data

Full product code	871829116306000
Order product name	MASTERCLOUR CDM-Rm Elite Mini 35W/930 GX10 MR16 40D
EAN/UPC – product	8718291163060
Order code	16306000
Local Code	35CDMRMELI93040
Numerator – quantity per pack	1
Numerator – packs per outer box	12
Material no. (12NC)	928194805330
Net weight (piece)	0.048 kg
ILCOS Code	MRS/UB-35/930-H-GX10-51/54.5/40

## Warnings and Safety

- Use only with electronic control gear
- Control gear must include end-of-life protection (IEC61167, IEC 62035)

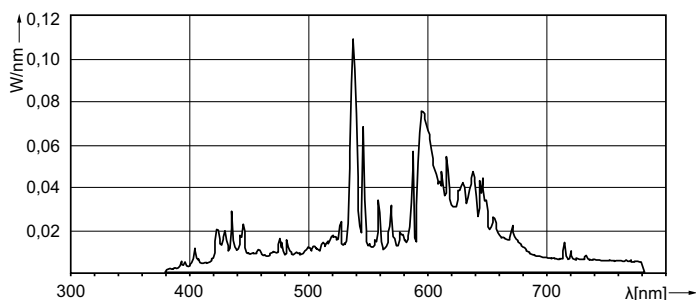
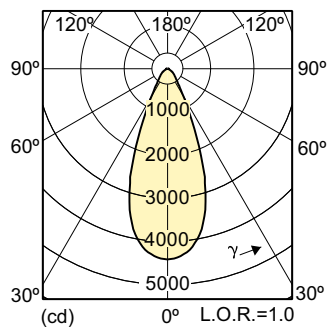
## Dimensional drawing



CDM-Rm 35W/930 GX10 MR16 40D

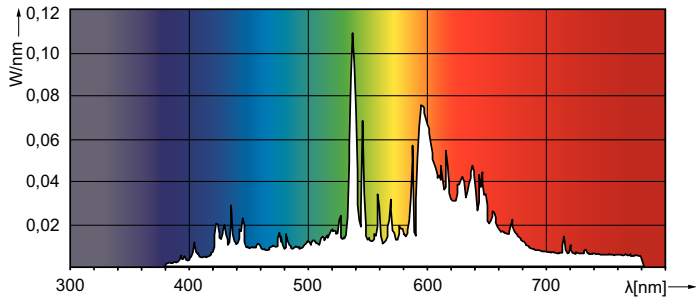
Product	D (max)	D	C (max)	C	C1 (max)	A (max)
MASTERCLOUR CDM-Rm	51 mm	50	65.4 mm	62.75	60.9 mm	59 mm
Elite Mini 35W/930 GX10		mm		mm		
MR16 40D						

## Photometric data



# MASTERCoulour CDM-Rm Elite Mini

## Photometric data



## Lifetime

