

**PHILIPS**

Lighting



# MASTERColour CDM-TC Elite

## MASTERColour CDM-TC Elite 35W/942 G8.5 1CT

Single-ended, compact size, high-efficiency Ceramic Metal Halide discharge lamp

### Product data

General Information	
Cap-Base	G8.5 [ G8.5]
Operating Position	UNIVERSAL [ Any or Universal (U)]
Life to 5% Failures (Nom)	9000 h
Life To 10% Failures (Nom)	10000 h
Life to 20% Failures (Nom)	12000 h
Life to 50% Failures (Nom)	15000 h
ANSI Code HID	-

Light Technical	
Colour Code	942 [ CCT of 4200K]
Luminous Flux (Rated) (Min)	3420 lm
Luminous Flux (Rated) (Nom)	3800 lm
Colour Designation	Cool White (CW)
Lumen Maintenance 12000 h (Nom)	71 %
Lumen Maintenance 10000 h (Nom)	73 %
Lumen Maintenance 2000 h (Nom)	84 %
Lumen Maintenance 5000 h (Nom)	79 %
Chromaticity Coordinate X (Nom)	0.371
Chromaticity Coordinate Y (Nom)	0.366
Colour Temperature, horizontal (Nom)	4200 K
Luminous Efficacy (rated) (Nom)	97 lm/W
Colour Rendering Index horiz (Min)	87

Colour Rendering Index horiz (Nom)	90
------------------------------------	----

Operating and Electrical	
Power (Rated) (Nom)	39.0 W
Ignition Supply Voltage (Min)	198 V
Re-Ignition Time (Min) (Max)	15 min
Ignition Time (Max)	30 s
Voltage (Max)	97 V
Voltage (Min)	85 V
Voltage (Nom)	91 V

Controls and Dimming	
Dimmable	No
Run-up Time 90% (Max)	3 min

Mechanical and Housing	
Bulb Finish	Clear

Approval and Application	
Energy Efficiency Label	A+
Mercury (Hg) Content (Nom)	4.9 mg
Energy Consumption kWh/1000 h	43 kWh

# MASTERCoulour CDM-TC Elite

UV	
Pet (Niosh) (Min)	8 h/500lx
Damage Factor D/fc (Max)	0.4
Luminaire Design Requirements	
Bulb Temperature (Max)	500 °C
Pinch Temperature (Max)	300 °C
Product Data	
Full product code	871829116366400

Order product name	MASTERCoulour CDM-TC Elite 35W/942 G8.5 1CT
EAN/UPC - Product	8718291163664
Order code	16366400
Numerator - Quantity Per Pack	1
Numerator - Packs per outer box	12
Material Nr. (12NC)	928193805131
Net Weight (Piece)	0.009 kg
ILCOS Code	MT/UB-35/942-H-G8.5-17/85

## Warnings and Safety

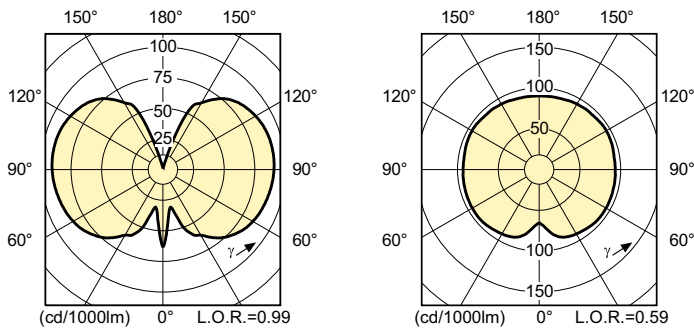
## Dimensional drawing

. D .

Product	D (max)	O	L (min)	L (max)	L	C (max)
MASTERCoulour CDM-TC Elite 35W/942 G8.5 1CT	15 mm	5.2 mm	51 mm	53 mm	52 mm	85 mm

## CDM-TC Elite 35W/942 G8.5

## Photometric data



## LDLD\_CDMTC-E\_0003-Light distribution diagram

# MASTERCcolour CDM-TC Elite

## Lifetime

