



# MASTER SON PIA Plus

## MASTER SON PIA Plus 50W E27

High Pressure Sodium lamp with opalized ovoid outer bulb, high output and long reliable lifetime

### Product data

General Information	
Cap base	E27 [ E27]
Operating position	UNIVERSAL [ Any/Universal]
Life to 5% failures (nom.)	14000 h
Life to 10% failures (nom.)	17000 h
Life to 20% failures (nom.)	22000 h
Life to 50% failures (nom.)	30000 h
System description	External Ignitor (E)
LSF 2000 h Rated	99 %
LSF 4000 h Rated	99 %
LSF 6000 h Rated	99 %
LSF 8000 h Rated	99 %
LSF 12000 h Rated	96 %
LSF 16000 h Rated	92 %
LSF 20000 h Rated	83 %
Light Technical	
Colour code	220 [ CCT of 2,000 K]
Luminous flux (rated) (nom.)	3900 lm
Chromaticity coordinate X (nom.)	540
Chromaticity coordinate Y (nom.)	410
Correlated colour temperature (nom.)	1900 K

Luminous efficacy (rated) (nom.)	76 lm/W
Color rendering index (max.)	25
LLMF 2000 h Rated	92 %
LLMF 4000 h Rated	90 %
LLMF 6000 h Rated	89 %
LLMF 8000 h Rated	88 %
LLMF 12000 h Rated	87 %
LLMF 16000 h Rated	86 %
LLMF 20000 h Rated	86 %
Ratio Scotopic/Photopic Lumens	0.50

### Operating and Electrical

Power (Rated) (Nom)	51.0 W
Lamp current (EM) (nom.)	0.76 A
Ignition supply voltage (max.)	198 V
Ignition peak voltage (max.)	1800 V
Re-ignition time (min.) (max.)	180 s
Ignition time (max.)	5 s
Voltage (Max)	100 V
Voltage (Min)	70 V
Voltage (Nom)	85 V

# MASTER SON PIA Plus

## Controls and Dimming

Dimmable	yes
Run-up time 90% (max.)	5 min

## Mechanical and Housing

Bulb finish	Coated [ Coated glass (CO)]
-------------	-----------------------------

## Approval and Application

Energy efficiency label (EEL)	A
Mercury (Hg) content (nom.)	9.8 mg
Energy Consumption kWh/1000 h	56 kWh

## Luminaire Design Requirements

Bulb temperature (max.)	350 °C
-------------------------	--------

Cap base temperature (max.)	200 °C
-----------------------------	--------

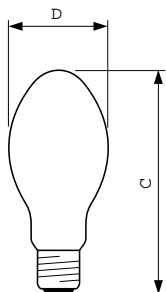
## Product Data

Full product code	871829118038800
Order product name	MASTER SON PIA Plus 50W E27
EAN/UPC – product	8718291180388
Order code	18038800
Local Code	50SONPLUS
Numerator – quantity per pack	1
Numerator – packs per outer box	24
Material no. (12NC)	928061109835
Net weight (piece)	0.051 kg

## Warnings and Safety

- Control gear must include end-of-life protection (IEC60662, IEC 62035)
- A lamp breaking is extremely unlikely to have any impact on your health. If a lamp breaks, ventilate the room for 30 minutes and remove the parts, preferably with gloves. Put them in a sealed plastic bag and take it to your local waste facilities for recycling. Do not use a vacuum cleaner.

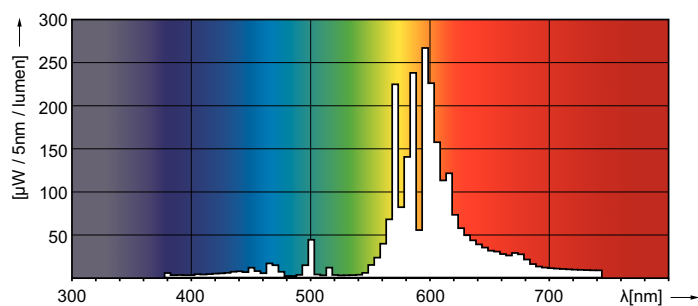
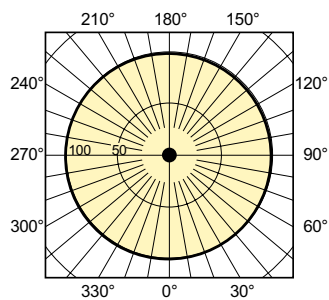
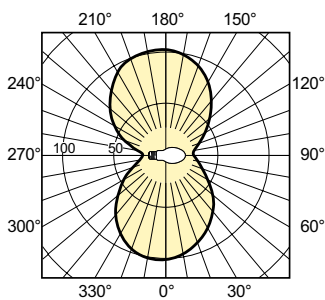
## Dimensional drawing



SON PIA Plus 50W E27

Product	D (max)	C (max)
MASTER SON PIA Plus 50W E27	71 mm	156 mm

## Photometric data



# MASTER SON PIA Plus

## Lifetime

