

**PHILIPS**

Lighting



# MASTERColour CDM-Rm Elite Mini

## MASTERColour CDM-Rm Elite Mini 20W/830 GX10 MR16 10D

Mini, very high-efficiency Ceramic Metal Halide discharge reflector lamp producing crisp white sparkling light with high colour rendering

### Product data

General Information	
Cap base	GX10 [ GX10]
Operating position	UNIVERSAL [ Any/Universal]
Life to 5% failures (nom.)	9000 h
Life to 10% failures (nom.)	10000 h
Life to 20% failures (nom.)	12000 h
Life to 50% failures (nom.)	15000 h
ANSI code HID	C156/O
Switching cycle	1350X
Light Technical	
Colour code	830 [ CCT of 3,000 K]
Beam Angle (Nom)	10 °
Beam angle technical	9 °
Beam angle technical	11 °
Beam angle technical	7 °
Luminous flux (rated) (min.)	900 lm
Luminous flux (rated) (nom.)	1000 lm
Luminous intensity (min.)	10900 cd
Luminous intensity (nom.)	14500 cd
Beam description	-

Lumen maintenance 12,000 hours (nom.)	75 %
Lumen maintenance 2,000 hours (nom.)	90 %
Lumen maintenance 4,000 hours (nom.)	85 %
Chromaticity coordinate X (nom.)	0.439
Chromaticity coordinate Y (nom.)	0.403
Correlated colour temperature (nom.)	3000 K
Luminous efficacy (rated) (nom.)	50 lm/W
Color rendering index (min.)	81
Color rendering index (nom.)	84
LLMF at end of nominal lifetime (nom.)	70 %
Luminous Flux in 90° Cone (Rated)	900 lm

### Operating and Electrical

Power (Rated) (Nom)	20.0 W
Re-ignition time (min.) (max.)	15 min
Warm-up time to 60% light (nom.)	120 s
Ignition time (max.)	30 s
Voltage (Max)	100 V
Voltage (Min)	90 V
Voltage (Nom)	95 V

# MASTERCcolour CDM-Rm Elite Mini

## Controls and Dimming

Dimmable	no
Run-up time 90% (max.)	3 min

## Approval and Application

Energy efficiency label (EEL)	A
Mercury (Hg) content (nom.)	3.5 mg
Energy Consumption kWh/1000 h	22 kWh

## UV

PET (NIOSH) (min.)	8 h/500lx
Damage factor D/fc (max.)	0.4

## Luminaire Design Requirements

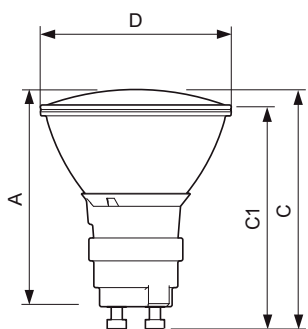
Reflector neck temperature (max.)	215 °C
-----------------------------------	--------

## Product Data

Full product code	871829120274500
Order product name	MASTERCcolour CDM-Rm Elite Mini 20W/830 GX10 MR16 10D
EAN/UPC – product	8718291202745
Order code	20274500
Local Code	20CDMRM83010
Numerator – quantity per pack	1
Numerator – packs per outer box	12
Material no. (12NC)	928191005331
Net weight (piece)	0.047 kg
ILCOS Code	MRS/UB-20/830-H-GX10-51/54.5/10

## Warnings and Safety

### Dimensional drawing

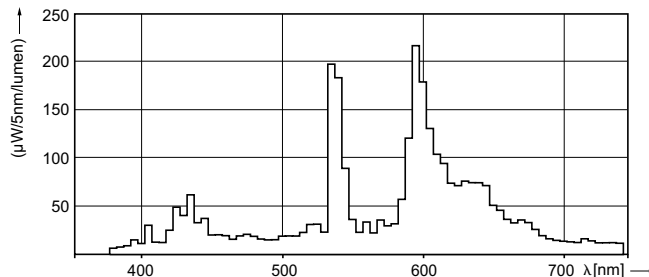
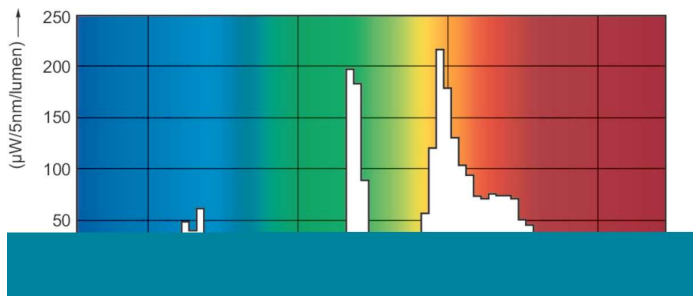


CDM-Rm 20W/830 GX10 MR16 10D

### Product

MASTERCcolour CDM-Rm Elite Mini 20W/830 GX10 MR16 10D

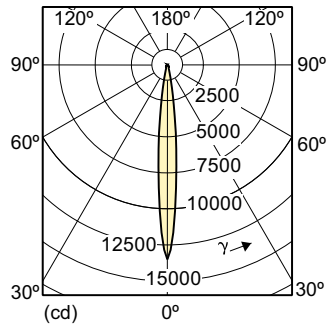
### Photometric data



MASTERCcolour CDM-R Mini /830

# MASTERCoulour CDM-Rm Elite Mini

## Photometric data



## Lifetime

