



MASTERColour CDM-Rm Elite Mini

MASTERColour CDM-Rm Elite Mini 20W/830 GX10 MR16 25D

Mini, very high-efficiency Ceramic Metal Halide discharge reflector lamp producing crisp white sparkling light with high color rendering

Product data

General Information	
Cap-Base	GX10 [GX10]
Operating Position	UNIVERSAL [Any or Universal (U)]
Life to 5% Failures (Nom)	9000 h
Life To 10% Failures (Nom)	10000 h
Life to 20% Failures (Nom)	12000 h
Life to 50% Failures (Nom)	15000 h
ANSI Code HID	C156/O
Switching Cycle	1350X

Light Technical	
Color Code	830 [CCT of 3000K]
Beam Angle (Nom)	25 °
Beam Angle Technical (Nom)	22 °
Beam Angle Technical (Max)	27.5 °
Beam Angle Technical (Min)	16.5 °
Luminous Flux (Rated) (Min)	900 lm
Luminous Flux (Rated) (Nom)	1000 lm
Luminous Intensity (Min)	3100 cd
Luminous Intensity (Nom)	4100 cd
Beam Description	-

Lumen Maintenance 12000 h (Nom)	75 %
Lumen Maintenance 2000 h (Nom)	90 %
Lumen Maintenance 4000 h (Nom)	85 %
Chromaticity Coordinate X (Nom)	0.439
Chromaticity Coordinate Y (Nom)	0.403
Correlated Color Temperature (Nom)	3000 K
Luminous Efficacy (rated) (Nom)	50 lm/W
Color Rendering Index (Min)	81
Color Rendering Index (Nom)	84
LLMF At End Of Nominal Lifetime (Nom)	70 %
Luminous Flux in 90° Cone (Rated)	900 lm

Operating and Electrical	
Power (Nom)	20 W
Re-Ignition Time (Min) (Max)	15 min
Warm Up Time to 60% Light (Nom)	120 s
Ignition Time (Max)	30 s
Voltage (Max)	100 V
Voltage (Min)	90 V
Voltage (Nom)	95 V

MASTERC colour CDM-Rm Elite Mini

Controls and Dimming

Dimmable	No
Run-Up Time 90% (Max)	3 min

Approval and Application

Energy Efficiency Label (EEL)	A
Mercury (Hg) Content (Nom)	3.5 mg
Energy Consumption kWh/1000 h	22 kWh

UV

Pet (Niosh) (Min)	8 h/500lx
Damage Factor D/fc (Max)	0.4

Luminaire Design Requirements

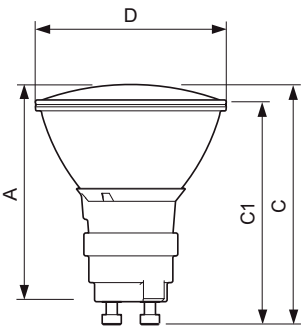
Reflector Neck Temperature (Max)	215 °C
----------------------------------	--------

Product Data

Full product code	871829120301800
Order product name	MASTERC colour CDM-Rm Elite Mini 20W/830 GX10 MR16 25D
EAN/UPC - Product	8718291203018
Order code	928191105331
Numerator - Quantity Per Pack	1
Numerator - Packs per outer box	12
Material Nr. (12NC)	928191105331
Net Weight (Piece)	0.047 kg
ILCOS Code	MRS/UB-20/830-H-GX10-51/54.5/25

Warnings and Safety

Dimensional drawing

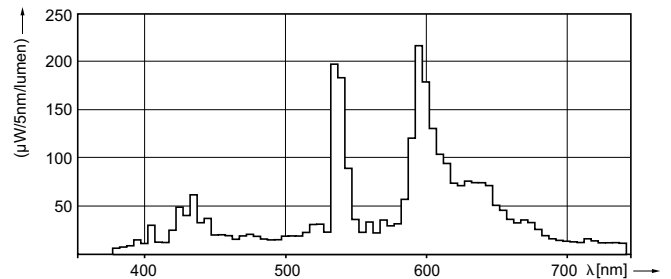
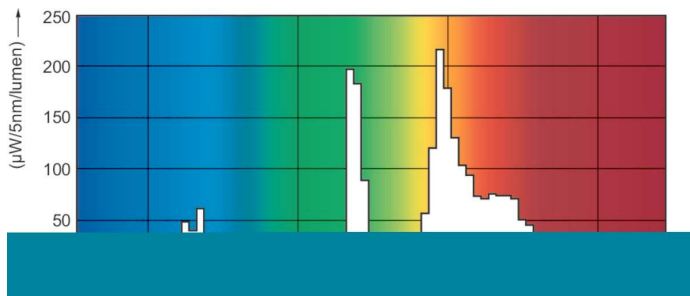


CDM-Rm 20W/830 GX10 MR16 25D

Product

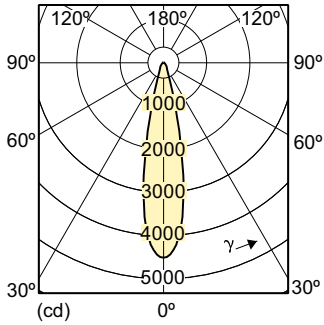
MASTERC colour CDM-Rm Elite Mini 20W/830 GX10 MR16 25D

Photometric data



MASTERCoulour CDM-Rm Elite Mini

Photometric data



LDLD_CDM-Rm_20W_25D_0003-Light distribution diagram

Lifetime

