



MHN-TD

MHN-TD 70W/842 RX7s 1CT/12

Double-ended quartz Metal-halide lamp

Product data

General Information	
Cap-Base	RX7S [RX7s]
Operating Position	P45 [Parallel +/-45D or Horizontal(HOR)]
Life to 5% Failures (Min)	4000 h
Life to 5% Failures (Nom)	5000 h
Life to 20% Failures (Min)	6500 h
Life to 20% Failures (Nom)	8000 h
Life to 50% Failures (Min)	8500 h
Life to 50% Failures (Nom)	10500 h
ANSI Code HID	M85/E
Footnotes HID 1	Color characteristics may vary somewhat from one lamp type to another. Time should be allowed for the lamp to stabilize in color when it is turned on for the first time or if for any reason its operating position is changed. This may require several hours' operation, with more than one start. Lamp color and output may change temporarily if the lamp is subjected to excess vibration or shock. Lamp color characteristics may change after long accumulate operating time.
Footnotes HID 2	Supply volts must be +/- 5% of rated ballast line volts for reactor type and +/- 10% for CWA or electronic ballasts.
Light Technical	
Color Code	842 [CCT of 4200K]

Luminous Flux (Rated) (Min)	5000 lm
Luminous Flux (Rated) (Nom)	5700 lm
Color Designation	Cool White (CW)
Lumen Maintenance 10000 h (Min)	40 %
Lumen Maintenance 10000 h (Nom)	75 %
Lumen Maintenance 2000 h (Min)	79 %
Lumen Maintenance 2000 h (Nom)	85 %
Lumen Maintenance 5000 h (Min)	68 %
Lumen Maintenance 5000 h (Nom)	80 %
Chromaticity Coordinate X (Nom)	370
Chromaticity Coordinate Y (Nom)	370
Correlated Color Temperature (Nom)	4200 K
Luminous Efficacy (rated) (Nom)	76 lm/W
Color Rendering Index (Nom)	80

Operating and Electrical	
Power (Nom)	75.0 W
Lamp Current Run-Up (Max)	1.35 A
Lamp Current (EM) (Nom)	1.0 A
Ignition Supply Voltage (Max)	198 V
Ignition Peak Voltage (Max)	5000 V
Ignition Supply Voltage (Min)	198 V
Ignition Peak Voltage (Min)	1800 V
Voltage (Max)	100 V
Voltage (Min)	80 V

MHN-TD

Voltage (Nom)	90 V
---------------	------

Controls and Dimming

Dimmable	No
----------	----

Mechanical and Housing

Bulb Finish	Clear
-------------	-------

Cap-Base Information	-
----------------------	---

Approval and Application

Energy Efficiency Label (EEL)	A
-------------------------------	---

Mercury (Hg) Content (Nom)	11 mg
----------------------------	-------

Energy Consumption kWh/1000 h	83 kWh
-------------------------------	--------

Luminaire Design Requirements

Bulb Temperature (Max)	500 °C
------------------------	--------

Pinch Temperature (Max)	280 °C
-------------------------	--------

Product Data

Full product code	871829121532500
-------------------	-----------------

Order product name	MHN-TD 70W/842 RX7s 1CT/12
--------------------	----------------------------

EAN/UPC - Product	8718291215325
-------------------	---------------

Order code	928070205190
------------	--------------

Numerator - Quantity Per Pack	1
-------------------------------	---

Numerator - Packs per outer box	12
---------------------------------	----

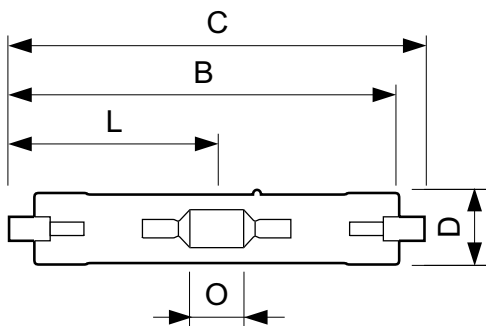
Material Nr. (12NC)	928070205190
---------------------	--------------

Net Weight (Piece)	0.028 kg
--------------------	----------

ILCOS Code	MD/UB-70/842-H-RX7s-22/117.6
------------	------------------------------

Warnings and Safety

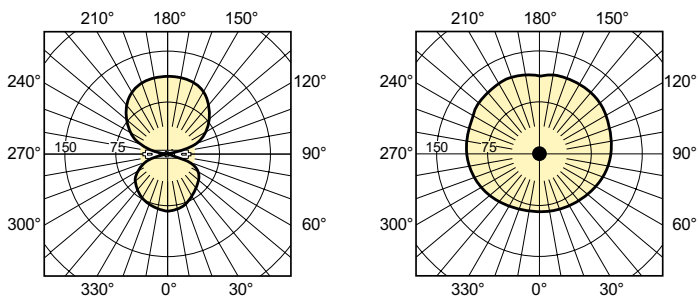
Dimensional drawing



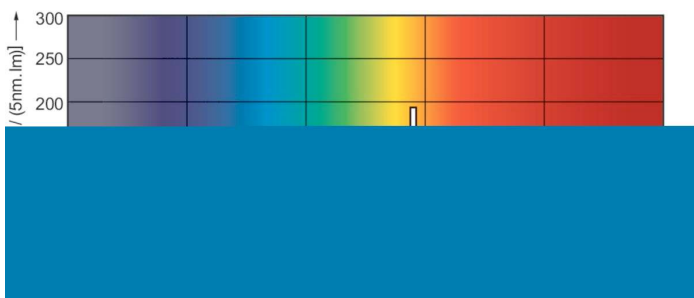
MHN-TD 70W/842 RX7s

Product	D (max)	D	O	C (max)
MHN-TD 70W/842 RX7s 1CT/12	19.5 mm	0.75 in	7.7 mm	117.6 mm

Photometric data

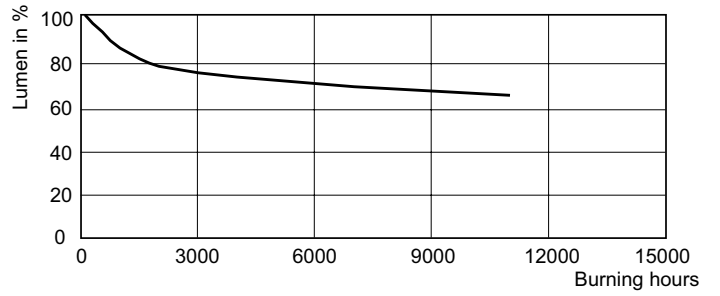
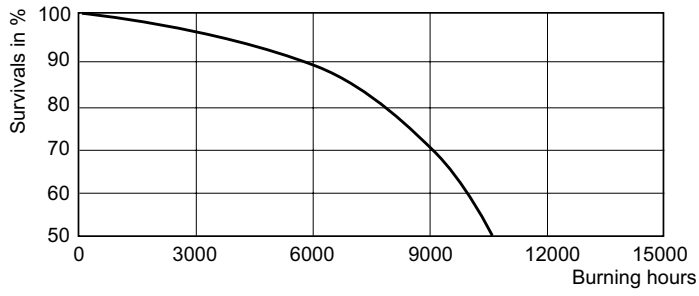


LDLD_MHN-TD-Light distribution diagram



MHN-TD

Lifetime



LDLE_MHN-TD_70W_150W_842-Life expectancy diagram

LDLM_MHN-TD_70W_150W_842-Lumen maintenance diagram

