



MASTERColour CDM-R111 Elite

MASTERColour CDM-R111 Elite CDM-R111 Elite 70W/930 GX8.5 24D

MASTERColour CDM-R111 Elite combines the trendy look of 111 mm aluminum-reflector halogen lamps with the long life, high energy efficiency and crisp white light of MASTERColour CDM.

Product data

General Information	
Cap-Base	GX8.5 [GX8.5]
Operating Position	UNIVERSAL [Any or Universal (U)]
Life to 5% Failures (Nom)	8000 h
Life To 10% Failures (Nom)	9500 h
Life to 20% Failures (Nom)	10500 h
Life to 50% Failures (Nom)	12000 h
ANSI Code HID	C139/O
Switching Cycle	1050X
Light Technical	
Colour Code	930 [CCT of 3000K]
Beam Angle (Nom)	24 °
Beam Angle Technical (Nom)	23 °
Beam Angle Technical (Max)	28 °
Beam Angle Technical (Min)	18 °
Luminous Intensity (Min)	12000 cd
Luminous Intensity (Nom)	16000 cd
Beam Description	Narrow Flood
Colour Designation	Warm White (WW)

Lumen Maintenance 12000 h (Nom)	70 %
Lumen Maintenance 2000 h (Nom)	90 %
Lumen Maintenance 4000 h (Nom)	85 %
Design Mean Lumens	3100 lm
Chromaticity Coordinate X (Nom)	0.441
Chromaticity Coordinate Y (Nom)	0.397
Colour Temperature, horizontal (Nom)	3000 K
Luminous Efficacy (rated) (Nom)	50 lm/W
Colour Rendering Index horiz (Min)	89
Colour Rendering Index horiz (Nom)	92
LLMF At End Of Nominal Lifetime (Nom)	70 %
Luminous Flux in 90° Cone (Rated)	3550 lm

Operating and Electrical	
Power (Rated) (Nom)	73.0 W
Re-Ignition Time (Min) (Max)	15 min
Warm Up Time to 60% Light (Nom)	120 s
Ignition Time (Max)	30 s
Voltage (Max)	98 V
Voltage (Min)	80 V

MASTERCLOUR CDM-R111 Elite

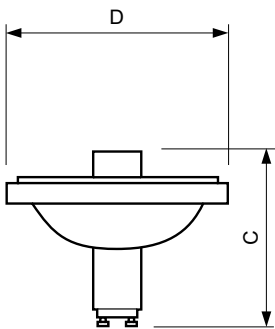
Voltage (Nom)	89 V
Controls and Dimming	
Dimmable	No
Run-up Time 90% (Max)	3 min
Mechanical and Housing	
Bulb Finish	Reflector
Approval and Application	
Energy Efficiency Label	A
Mercury (Hg) Content (Nom)	6.6 mg
Energy Consumption kWh/1000 h	80 kWh

Product Data

Full product code	871829168970600
Order product name	MASTERCLOUR CDM-R111 Elite CDM-R111 Elite 70W/930 GX8.5 24D
EAN/UPC - Product	8718291689706
Order code	68970600
Numerator - Quantity Per Pack	1
Numerator - Packs per outer box	6
Material Nr. (12NC)	928195705330
Net Weight (Piece)	96.000 g
ILCOS Code	MRS/UB-70/930-H-GX8.5-111/88/24

Warnings and Safety

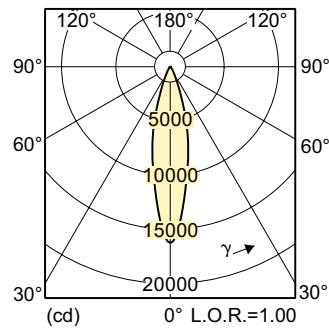
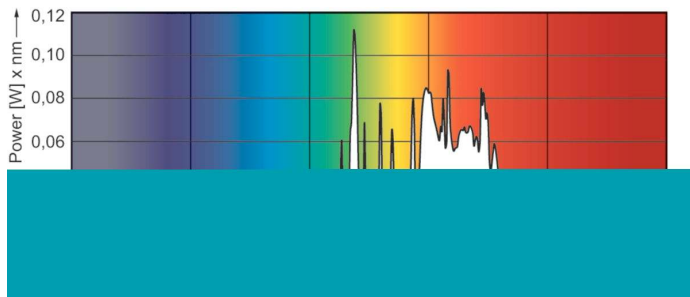
Dimensional drawing



CDM-R111 Elite 70W/930 24D

Product	D (max)	C (max)
MASTERCLOUR CDM-R111 Elite CDM-R111 Elite 70W/930 GX8.5 24D	111 mm	95 mm

Photometric data



LDLD_CDMR111E_0008-Light distribution diagram

MASTERCcolour CDM-R111 Elite

