



MASTER LEDtube InstantFit HF T8

MASTER LEDtube HF 1500mm SO 22W840 T8

Philips MASTER LEDtube InstantFit T8 integrates a LED light source into a traditional fluorescent form factor. Its unique design creates a perfectly uniform visual appearance which cannot be distinguished from traditional fluorescent. Philips MASTER LEDtube InstantFit T8 is the ideal solution for customers who have higher light requirements and want to maximize value over lifetime.; Full energy savings & longer lifetime result in attractive payback times and TCO benefits.

Product data

General Information	
Cap-Base	G13 [Medium Bi-Pin Fluorescent]
Main Application	Industrial
Nominal Lifetime (Nom)	50000 h
Switching Cycle	50000X
B50L70	50000 h

Light Technical	
Color Code	840 [CCT of 4000K]
Beam Angle (Nom)	160 °
Luminous Flux (Nom)	2000 lm
Luminous Flux (Rated) (Nom)	2000 lm
Rated Beam Angle	160 °
Correlated Color Temperature (Nom)	4000 K
Color Consistency	<6
Color Rendering Index (Nom)	83
LLMF At End Of Nominal Lifetime (Nom)	70 %

Operating and Electrical	
Input Frequency	50 to 60 Hz
Power (Rated) (Nom)	22 W
Lamp Current (Nom)	50 mA
Starting Time (Nom)	0.5 s
Warm Up Time to 60% Light (Nom)	instant full light s
Power Factor (Nom)	0.9
Voltage (Nom)	220-240 V

Temperature	
T-Ambient (Max)	45 °C
T-Ambient (Min)	-20 °C
T-Storage (Max)	65 °C
T-Storage (Min)	-40 °C
T-Case Maximum (Nom)	60 °C

Controls and Dimming	
Dimmable	No

MASTER LEDtube InstantFit HF T8

Mechanical and Housing

Product Length 1500 mm

Approval and Application

Energy Efficiency Label (EEL) A
 Energy Saving Product Yes
 Suitable For Accent Lighting No
 Approval Marks CE marking RoHS compliance KEMA Keur certificate
 Energy Consumption kWh/1000 h 27 kWh

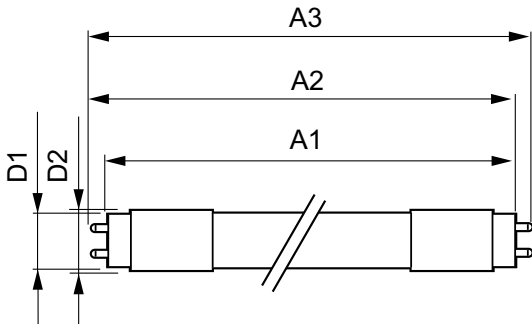
Product Data

Full product code 871869640078400
 Order product name MASTER LEDtube HF 1500mm SO 22W840 T8
 EAN/UPC - Product 8718696400784
 Order code 929001122402
 Numerator - Quantity Per Pack 1
 Numerator - Packs per outer box 10
 Material Nr. (12NC) 929001122402
 Net Weight (Piece) 0.450 kg

Warnings and Safety

• NOTES: The overall energy efficiency and light distribution of any installation that uses these lamps are determined by the design of the installation.

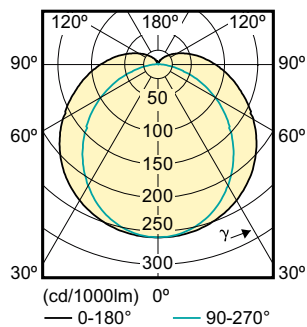
Dimensional drawing



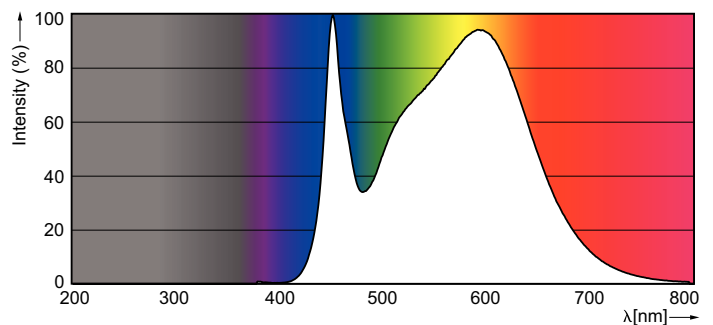
LEDtube VLE HF 1500mm 22W/840 T8C Rot

Product	D1	D2	A1	A2	A3
MASTER LEDtube HF 1500mm SO 22W840 T8	25.68 mm	28 mm	1500.0 mm	1507.1 mm	1514.2 mm

Photometric data



LED tube VLE HF 1500 mm T8C Rot



VALUE HF 1500 mm 22 W /840 T8C Rot

MASTER LEDtube InstantFit HF T8

