



# CorePro LEDbulbs

## CorePro LEDbulb D 9.5-60W 827 E27

CorePro LEDbulbs are compatible with existing fixtures with an E27 or B22 holder and are designed for retrofit replacement of incandescent bulbs. They deliver huge energy savings and minimize maintenance cost. The CorePro LED bulb is the perfect bulb for your basic lighting needs. It provides the beautiful light and dependable performance you expect from LED at an affordable price.

### Product data

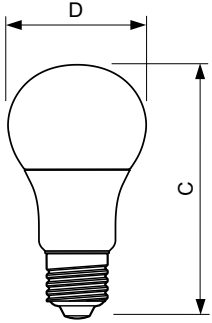
General Information		Starting Time (Nom)	
Cap-Base	E27 [ E27]		0.5 s
Nominal Lifetime (Nom)	15000 h	Warm Up Time to 60% Light (Nom)	instant full light
Switching Cycle	50000X	Power Factor (Nom)	0.7
Technical Type	9.5-60W	Voltage (Nom)	220-240 V
Light Technical		Temperature	
Color Code	827 [ CCT of 2700K]	T-Case Maximum (Nom)	80 °C
Beam Angle (Nom)	200 °	Controls and Dimming	
Luminous Flux (Nom)	806 lm	Dimmable	Yes
Luminous Flux (Rated) (Nom)	806 lm	Mechanical and Housing	
Color Designation	White (WH)	Bulb Finish	Frosted
Correlated Color Temperature (Nom)	2700 K	Approval and Application	
Luminous Efficacy (rated) (Nom)	84.84 lm/W	Energy Efficiency Label (EEL)	A+
Color Consistency	<6	Suitable For Accent Lighting	No
Color Rendering Index (Nom)	80	Energy Consumption kWh/1000 h	10 kWh
LLMF At End Of Nominal Lifetime (Nom)	70 %	Product Data	
Operating and Electrical		Full product code	871869647879000
Input Frequency	50 to 60 Hz	Order product name	CorePro LEDbulb D 9.5-60W 827 E27
Power (Rated) (Nom)	9.5 W		
Lamp Current (Nom)	60 mA		

## CorePro LEDbulbs

EAN/UPC - Product	8718696478790
Order code	929001159102
Numerator - Quantity Per Pack	1
Numerator - Packs per outer box	10

Material Nr. (12NC)	929001159102
Net Weight (Piece)	0.076 kg

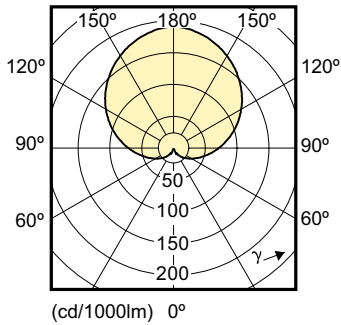
### Dimensional drawing



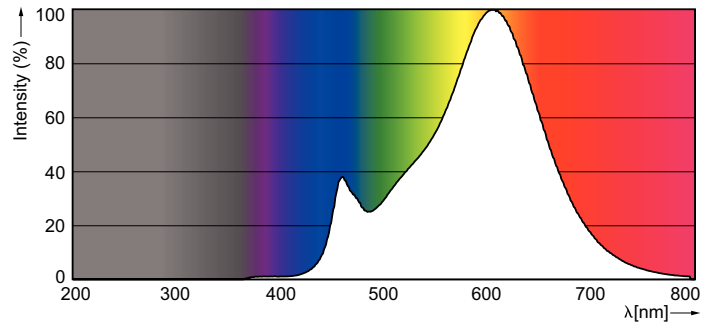
LED D 9.5-60W E27 827

Product	D	C
CorePro LEDbulb D 9.5-60W 827 E27	60 mm	110 mm

### Photometric data



40W, 60W A60



A60, A67 /827 FR

