



# MASTERColour CDM MW Eco

## MASTERColour MW eco MASTERColour CDM-T MW eco 230W/842 E40

Ceramic metal halide lamps with clear tubular or coated ellipsoid outer bulb, tailor-made to replace and outperform quartz metal halide lamps on existing gear.

### Product data

General Information	
Cap base	E40 [ E40]
Operating position	UNIVERSAL [ Any/Universal]
Life to 5% failures (nom.)	12000 h
Life to 10% failures (nom.)	16000 h
Life to 20% failures (nom.)	20000 h
Life to 50% failures (nom.)	30000 h
System description	Universal
LSF 2000 h Rated	99 %
LSF 4000 h Rated	99 %
LSF 6000 h Rated	99 %
LSF 8000 h Rated	98 %
LSF 12000 h Rated	95 %
LSF 16000 h Rated	90 %
LSF 20000 h Rated	80 %
LSF 24000 h Rated	70 %
LSF 28000 h Rated	56 %
LSF 30000 h Rated	50 %
Light Technical	
Colour code	842 [ CCT of 4,200 K]

Luminous flux (rated) (nom.)	21900 lm
Colour designation	Cool White (CW)
Chromaticity coordinate X (nom.)	354
Chromaticity coordinate Y (nom.)	351
Correlated colour temperature (nom.)	4200 K
Luminous efficacy (rated) (nom.)	96.5 lm/W
Color rendering index (nom.)	88
LLMF 2000 h Rated	92 %
LLMF 4000 h Rated	87 %
LLMF 6000 h Rated	84 %
LLMF 8000 h Rated	82 %
LLMF 12000 h Rated	80 %
LLMF 16000 h Rated	77 %
LLMF 20000 h Rated	75 %
Ratio Scotopic/Photopic Lumens	1.87
Operating and Electrical	
Power (Rated) (Nom)	227.0 W
Lamp current run-up (max.)	2.2 A
Lamp current (EM) (nom.)	2.14 A
Ignition supply voltage (max.)	198 V

# MASTERColour CDM MW Eco

Ignition peak voltage (max.)	5000 V
Ignition peak voltage (min.)	750 V
Re-ignition time (min.) (max.)	900 s
Ignition time (max.)	30 s
Voltage (Max)	132 V
Voltage (Min)	118 V
Voltage (Nom)	134 V

## Controls and Dimming

Dimmable	no
Run-up time 90% (max.)	3 min

## Mechanical and Housing

Bulb finish	Clear
Bulb material	Hard Glass

## Approval and Application

Energy efficiency label (EEL)	A+
Mercury (Hg) content (nom.)	32.0 mg
Energy Consumption kWh/1000 h	250 kWh

## UV

PET (NIOSH) (nom.)	8 h/500lx
--------------------	-----------

## Luminaire Design Requirements

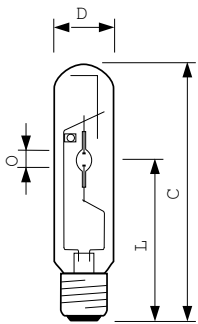
Bulb temperature (max.)	550 °C
Cap base temperature (max.)	250 °C

## Product Data

Full product code	871869659681400
Order product name	MASTERColour MW eco MASTERColour CDM-T MW eco 230W/842 E40
EAN/UPC – product	8718696596814
Order code	59681400
Numerator – quantity per pack	1
Numerator – packs per outer box	12
Material no. (12NC)	928070119230
Net weight (piece)	166.000 g

## Warnings and Safety

## Dimensional drawing

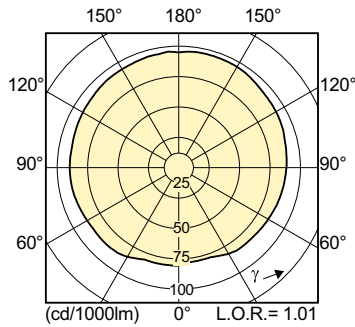


CDM-T MW eco 230W/842 E40

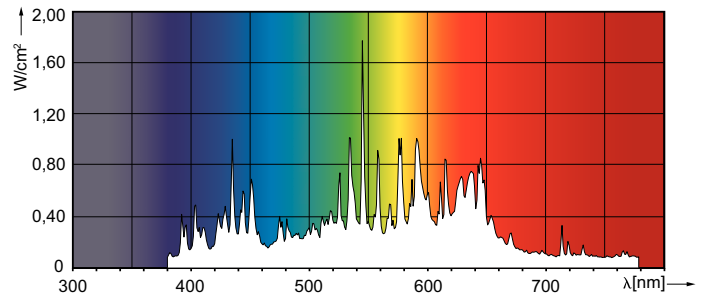
Product	D (max)	O	L	C (max)
MASTERColour MW eco MASTERColour CDM-T MW eco 230W/842 E40	47 mm	12.4 mm	157 mm	257 mm

# MASTERColour CDM MW Eco

## Photometric data

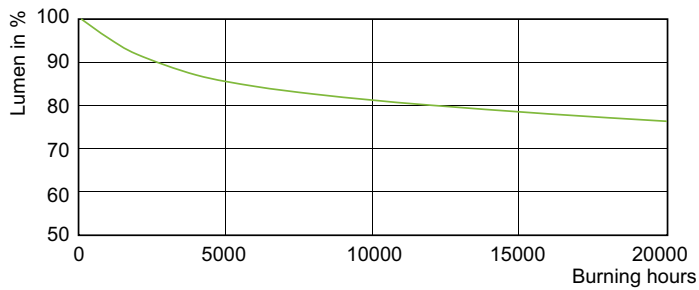


MASTERColour CDM-T MW eco 230W/842 E40

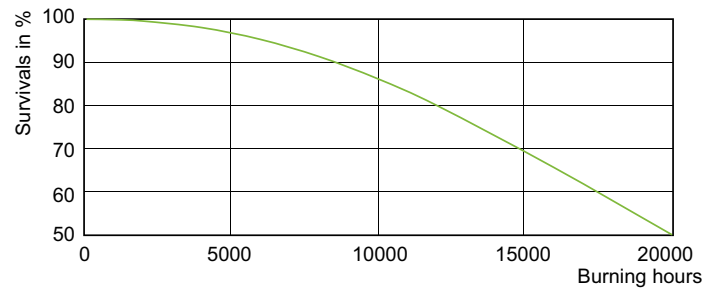


MASTERColour CDM MW eco /842

## Lifetime



MASTERColour CDM MW eco /842



MASTERColour CDM MW eco /842

