

PHILIPS

Lighting



MASTERColour CDM-T Elite

MASTERColour CDM-T Elite 100W/930 G12 1CT/12

Single-ended, very high-efficiency, long-life Ceramic Metal Halide discharge lamp producing crisp white sparkling light with high color rendering

Product data

General Information

Cap-Base	G12 [G12]
Operating Position	UNIVERSAL [Any or Universal (U)]
Life to 5% Failures (Nom)	12000 h
Life To 10% Failures (Nom)	14000 h
Life to 20% Failures (Nom)	16000 h
Life to 50% Failures (Nom)	20000 h
ANSI Code HID	C191/E

Light Technical

Color Code	930 [CCT of 3000K]
Luminous Flux (Rated) (Nom)	11000 lm
Color Designation	Warm White (WW)
Lumen Maintenance 1000 h (Nom)	97 %
Lumen Maintenance 12000 h (Nom)	85 %
Lumen Maintenance 10000 h (Nom)	87 %
Lumen Maintenance 2000 h (Nom)	95 %
Lumen Maintenance 4000 h (Nom)	93 %
Lumen Maintenance 5000 h (Nom)	92 %
Chromaticity Coordinate X (Nom)	0.432
Chromaticity Coordinate Y (Nom)	0.399
Correlated Color Temperature (Nom)	3000 K

Luminous Efficacy (rated) (Nom)	110 lm/W
Color Rendering Index (Min)	89
Color Rendering Index (Nom)	92

Operating and Electrical

Power (Rated) (Min)	100.0 W
Power (Nom)	100.0 W
Lamp Current Run-Up (Max)	1.8 A
Ignition Supply Voltage (Max)	198 V
Ignition Peak Voltage (Max)	4500 V
Ignition Supply Voltage (Min)	198 V
Re-Ignition Time (Min) (Max)	15 min
Ignition Time (Max)	30 s
Voltage (Max)	94 V
Voltage (Min)	82 V
Voltage (Nom)	88 V

Controls and Dimming

Dimmable	No
Run-Up Time 90% (Max)	3 min

MASTERCcolour CDM-T Elite

Mechanical and Housing

Bulb Finish Clear

Approval and Application

Energy Efficiency Label (EEL) A+
 Mercury (Hg) Content (Nom) 10.1 mg
 Energy Consumption kWh/1000 h 110 kWh

UV

Pet (Niosh) (Min) 8 h/500lx
 Damage Factor D/fc (Max) 0.2

Luminaire Design Requirements

Bulb Temperature (Max) 550 °C
 Cap-Base Temperature (Max) 250 °C

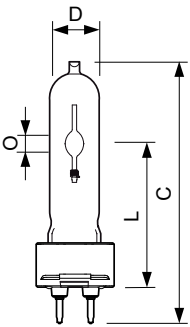
Pinch Temperature (Max) 350 °C

Product Data

Full product code 872790087169200
 Order product name MASTERCcolour CDM-T Elite 100W/930 G12 1CT/12
 EAN/UPC - Product 8727900871692
 Order code 928183205125
 Numerator - Quantity Per Pack 1
 Numerator - Packs per outer box 12
 Material Nr. (12NC) 928183205125
 Net Weight (Piece) 0.030 kg
 ILCOS Code MT/UB-100/930-H-G12-21/100

Warnings and Safety

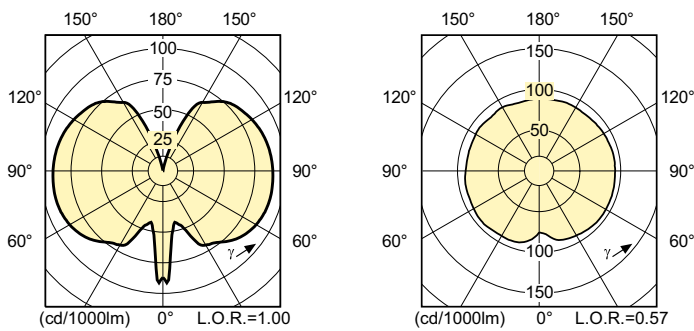
Dimensional drawing



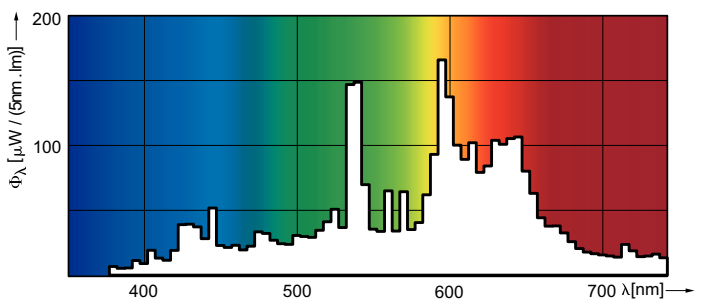
CDM-T Elite 100W/930 G12

Product	D (max)	O	L (min)	L (max)	L	C (max)
MASTERCcolour CDM-T Elite 100W/930 G12 1CT/12	20 mm	8.5 mm	55 mm	57 mm	56 mm	110 mm

Photometric data



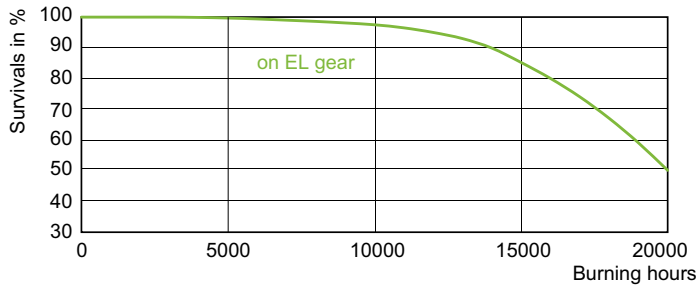
LDLD_CDM-T-E_0006-Light distribution diagram



LDPO_CDM-T-E_100W_930-Spectral power distribution Colour

MASTERCcolour CDM-T Elite

Lifetime



LDLE_CDM-T-E_0006-Life expectancy diagram

