



- This product must only be installed by a licensed installer.



- Dette produktet må kun installeres av en godkjent installatør.



- Denna produkt får endast installeras av auktoriserad installatör.

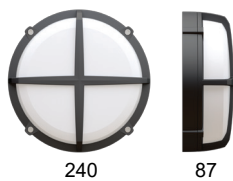


- Tämän tuotteen asennuksen tulee aina olla sähköalan ammattilaisen tekemä.

## Measurements



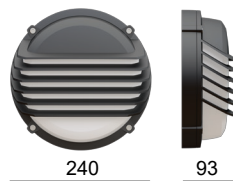
Protect 2.0



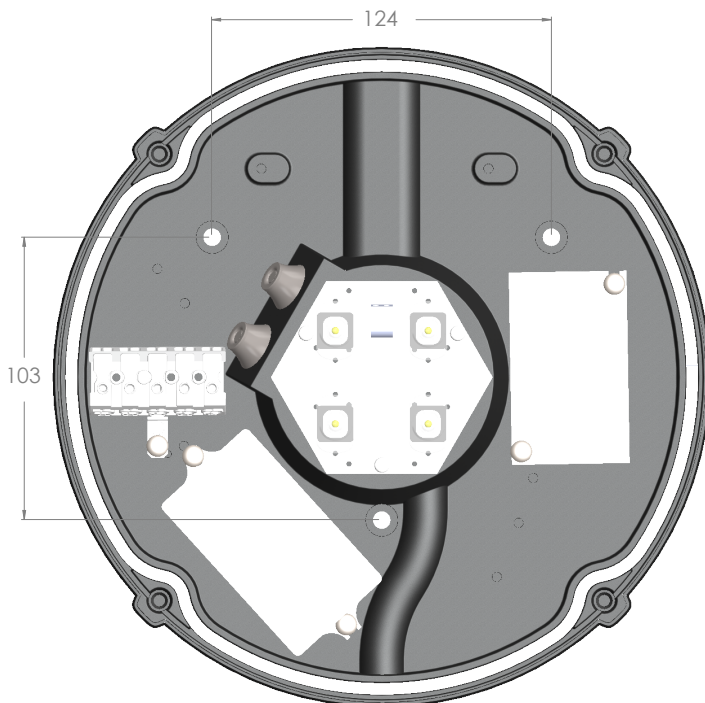
Neptune 2.0 - Cross



Neptune 2.0 - Half cover



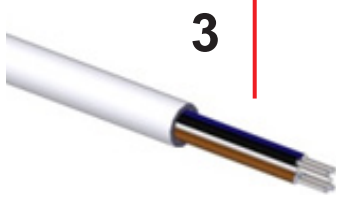
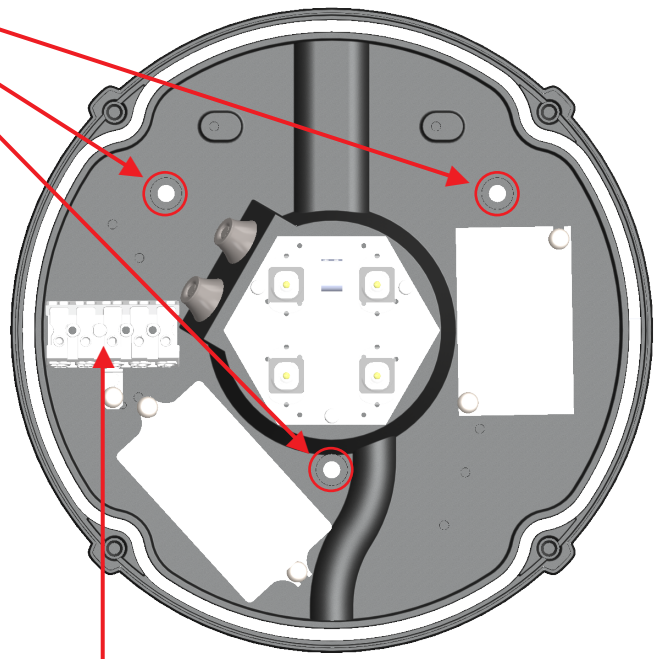
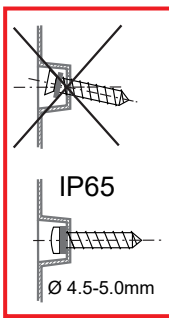
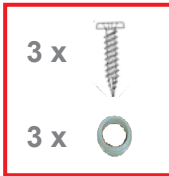
Neptune 2.0 - Grid



# Mount & Connect

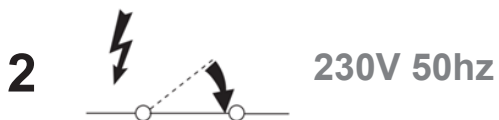
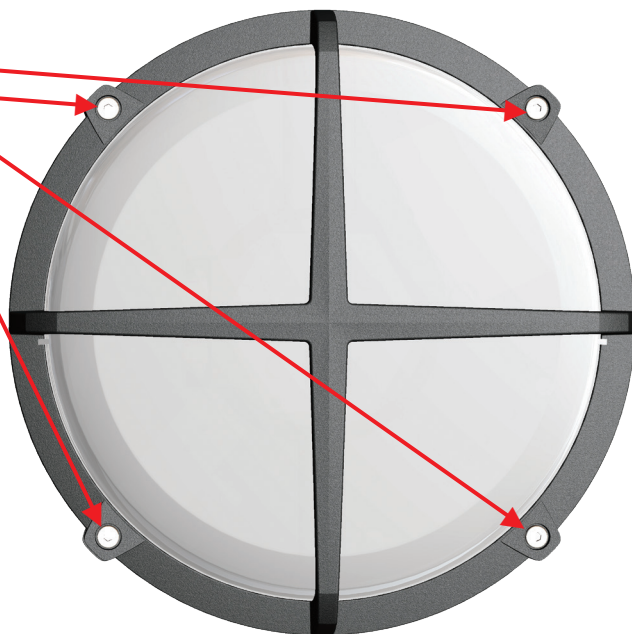


2 screw fixing

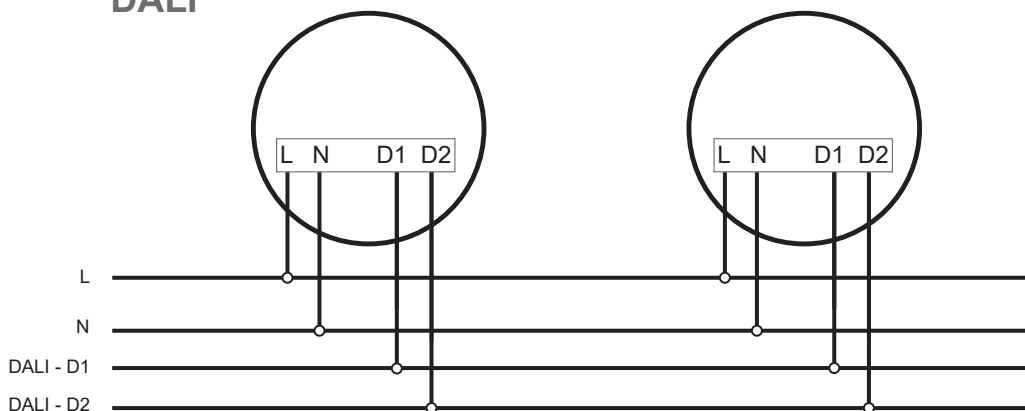


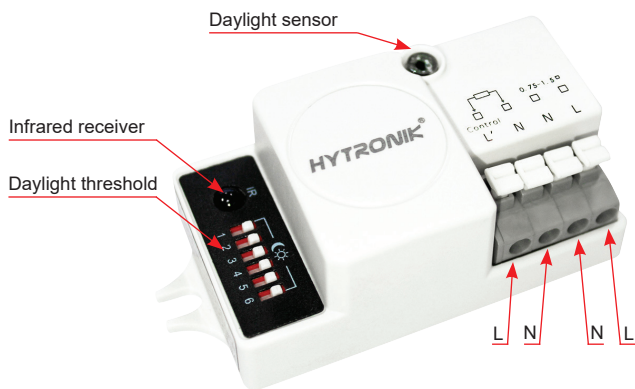
# Close

**1** screw fixing



# DALI





Norsk versjon



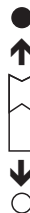
Svensk version



### DIP switch setting (Daylight Threshold)

Set the lux level according to the real application environment. Light keeps off if ambient daylight is sufficient (above the threshold preset). With insufficient natural light, light will automatically turn on. The Daylight Threshold has a 5 min delay. Light will never switch off when daylight threshold is set to disable.

	1	2	3	4	5	6	
I	●	●	●	●	●	●	disabled
II	●	○	○	○	○	○	2 lux
III	○	●	○	○	○	○	10 lux
IV	○	○	●	○	○	○	30 lux
V	○	○	○	●	○	○	50 lux
VI	○	○	○	○	●	○	100 lux
VII	○	○	○	○	○	●	300 lux
VIII	○	○	○	○	○	○	500 lux



## Description

The Remote Control controls the Daylight sensor only.

The HRC-11 provides a fast and easy way to customize the Daylight sensor. Alter the settings using the functions as described below. The fixture will emit a flash when a new setting has been received.



### Permanent On/Off function

Press "ON/OFF" to select permanent ON or permanent OFF mode. Press "AUTO", "RESET" to quit this mode.



### Auto Mode

Press "AUTO" to initiate automatic mode. In this mode the sensor and fitting behave according to your selected settings.



### Reset function

Press "RESET", to restore default settings on the DIP switches.



### Shift

Press "shift" to use secondary button values marked in red. "Shift-mode" is active for 20 seconds.



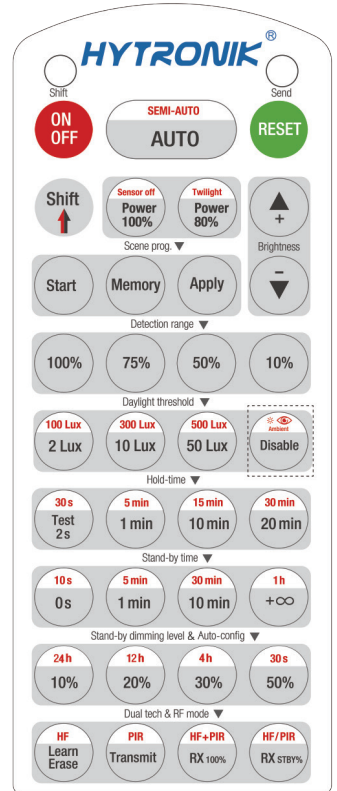
### Daylight threshold

Press these buttons to set the Lux level to 2Lux/10Lux/50Lux/Disable. The fitting will not activate if the ambient light is above the selected level. If set to Disable, the fitting will always be activated.

### Ambient daylight threshold

1. Press button "Shift", the red LED is on for indication.
2. Press button "Ambient", the surrounding lux level is sampled and set as the new daylight threshold.

**Note: all other buttons are disabled.**



## LightAdjust instruction

W	lumen out								1	2	3
	Ring		Cross		Half cover		Grid				
	3000K	4000K	3000K	4000K	3000K	4000K	3000K	4000K			
7,9	647	689	584	621	330	352	206	221	●	●	●
7,3	580	617	523	556	296	315	185	198	●	●	○
6,7	513	546	463	493	262	279	163	175	●	○	●
6,1	447	476	403	429	228	243	142	153	●	○	○
5,1	380	404	343	364	194	206	121	130	○	●	●
4,4	314	334	283	301	160	171	100	107	○	●	○
3,8	249	266	225	239	127	136	79	85	○	○	●
3,0	185	197	167	178	95	101	59	63	○	○	○

**LightAdjust - adjustable light**

Fittings marked with "LightAdjust" are equipped with a setting which makes it possible to set the preferred light level in 8 steps. By delivery the fittings are set on the highest level.

**LightAdjust - justerbart lys**

På armaturer markert med "LightAdjust" fins en innstilling som gir muligheten til å stille ønsket lysnivå. Ved levering er armaturen innstilt på høyeste nivået.

**LightAdjust - justerbart ljus**

På armaturer markerade med LightAdjust finns en inställning som ger möjligheten att ställa önskad ljusnivå. Vid leverans är armaturen inställd på högsta nivå.

**LightAdjust - valontuoton asetus**

"LightAdjust" -merkinnällä varustetut valaisimet on varustettu 8-portaisella DIP-kytkimellä, mikä mahdollistaa valotason asettamisen. Valaisin toimitetaan tehdasaseteltuna suurimmalla valotehoarvolla.