

QTP-M 1X26...42

QUICKTRONIC MULTIWATT | ECG for CFL



Product family features

- Supply voltage: 220...240 V
- Line voltage: 198...264 V
- Line frequency: 0 Hz | 50 Hz | 60 Hz
- Lamp start with optimum filament preheating
- Energy Efficiency Index EEI: A2
- Automatic shutdown of defective lamps and at end of life (EoL T.2)
- Lamp operation: to EN 60929
- Safety: to EN 61347-2-3

Product family benefits

- Long lamp life
- No adverse effect from frequent on/off switching
- Automatic restart after lamp replacement
- Perfect lamp start for applications with motion sensors
- Separate installations thanks to optional cable clamp for K2 and K3 casings
- VDE/VDE EMC certified system

Areas of application

- Emergency lighting systems acc. to EN 50172 / DIN VDE 0108-100
- Public buildings
- Sports halls and factories
- Suitable for luminaires of protection class I

Product datasheet

Technical data

Electrical data

Input voltage AC	198...264 V
Nominal voltage	220...240 V
Mains frequency	50...60 Hz
Input voltage DC	176...276 V
Operating frequency	47 kHz ¹⁾
Max. ECG no. on circuit breaker 10 A (B)	17 ²⁾
Max. ECG no. on circuit breaker 16 A (B)	28 ²⁾
Inrush current	15 A
Line current	0.20 A

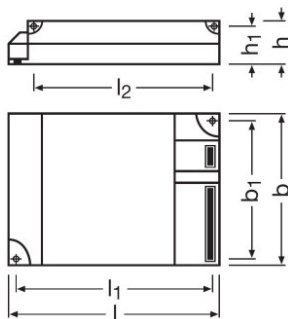
¹⁾ Approximately

²⁾ Type B

Light technical data

Starting time	1.0 s
---------------	-------

Dimensions & weight



Length	103.0 mm
Width	67.0 mm
Height	31.0 mm
Mounting hole spacing, length	94.0 mm
Product weight	147.00 g
Cable cross-section, output side	0.5...1.5 mm ²
Cable cross-section, input side	0.5...1.5 mm ²

Temperatures & operating conditions

Ambient temperature range	-20...+50 °C
---------------------------	--------------

Product datasheet

Permitted rel. humidity during operation	5...85 % ¹⁾
--	------------------------

¹⁾ Maximum 56 days/year at 85 %

Lifespan

ECG lifetime	50000 h ¹⁾
--------------	-----------------------

¹⁾ At $T_{case} = 75^{\circ}C$ at T_c point / 10% failure rate

Additional product data

Product remark	Optional cable clamp, see chapter ECG mountings - cable clamp
Suitable for lamp power (1 lamp)	26...42 W

Capabilities

Suitable for fixtures with prot. class	I / II
End of lamp life safety shutdown	EOL T.2
Max. cable length to lamp/LED module	2.0 m / 1.0 m
Dimmable	No

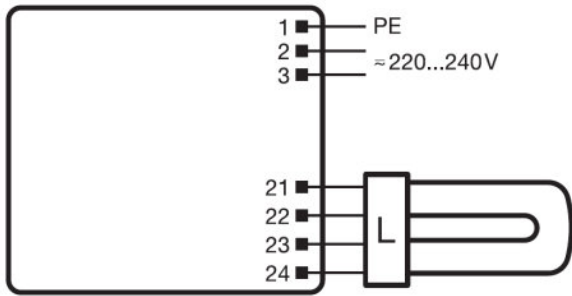
Certificates & standards

Approval marks – approval	VDE / VDE-EMC / ENEC 10 / GOST / RCM
EEI – Energy Label	A2
Standards	Acc. to EN 61347-2-3/Acc. to EN 60929/Acc. to EN 55015:2006 + A1:2007/Acc. to EN 61000-3-2/Acc. to EN 61547
Protection class	III
Type of protection	IP20

Logistical data

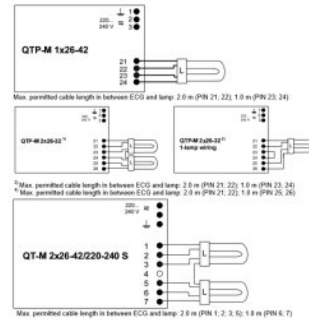
Commodity code	850410809000
----------------	--------------

Wiring Diagram



QUICKTRONIC® M

	QTP-M 1x26-42	QTP-M 2x26-42	QTP-M 2x26-42 S
LED	17 x 1	17 x 1	6 x 1
LED	8 (1700lm)	8 (1700lm)	8 (1700lm)
LED	28 x 1	28 x 1	18 x 1
LED	8 (1700lm)	8 (1700lm)	8 (1700lm)
LED	4 x 15 A	< 28 A	< 28 A
T _{amb}	200 µm	200 µm	200 µm



OSRAM


320039_QTP-M 1x26-42

596698_EAC QTP-M

Download Data

File
Addon Technical Information 321428_ATI QTP-M 1X26-42 (GB)
Certificates 334956_EMC-Marks approval – QTP-M
Certificates 334981_EMC-Marks approval QT-M
Certificates 334982_ENEC-Marks approval QT-M
Certificates 335097_INOTEC
Certificates 335101_ENEC-VDE-Marks approval
Certificates 335126_CEAG requirements Compatibility to modules of manufacturers for emergency lighti
Certificates 335169_Manufacturer's declaration – LampECG combinations: Frequent switching
Certificates 335181_VDE Quality Tested – Simplified luminaire approbation

Product datasheet

	Certificates 504211_VDE-EMC-Certificate QT-M
	Declarations of conformity Quicktronic CE 3364256 090421
	CAD data 3-dim 321777_QTP-M 1X26-42
	CAD data 3-dim 321778_QTP-M 1X26-42

Logistical Data

Product code	Product description	Packaging unit (Pieces/Unit)	Dimensions (length x width x height)	Volume	Gross weight
4008321329134	QTP-M 1X26...42	Shipping carton box 20	360 mm x 102 mm x 230 mm	8.45 dm ³	2986.00 g

The mentioned product code describes the smallest quantity unit which can be ordered. One shipping unit can contain one or more single products. When placing an order, for the quantity please enter single or multiples of a shipping unit.

Disclaimer

— Subject to change without notice. Errors and omission excepted. Always make sure to use the most recent release.

QTP-M 1X26...42

QUICKTRONIC MULTIWATT | ECG for CFL

Product name	Lamp group	Nominal current	Nominal wattage + Power loss	Power factor λ [PIM]	Luminous flux at 25 °C	Number of lighting outlets	Luminous flux at 35 °C
QTP-M 1X26...42	DULUX D/E 26 W	0.12 A	27.00 W	0.95	1750 lm	1	
	DULUX F 18 W	0.09 A	19.00 W	0.88 c		1	1050 lm
	DULUX F 24 W	0.12 A	25.00 W	0.94 c		1	1650 lm
	DULUX F 36 W	0.16 A	35.00 W	0.96		1	2700 lm
	DULUX L 18 W	0.09 A	18.00 W	0.88 c		1	1150 lm
	DULUX L 24 W	0.12 A	25.00 W	0.94 c		1	1750 lm
	DULUX L 36 W	0.16 A	35.00 W	0.97		1	2800 lm
	DULUX L 40 W	0.19 A	43.00 W	0.98		1	3500 lm
	DULUX T/E 26 W	0.12 A	27.00 W	0.95	1750 lm	1	
	DULUX T/E 32 W	0.16 A	35.00 W	0.97	2400 lm	1	
	DULUX T/E 32 W CONSTANT	0.16 A	35.00 W	0.97	2400 lm	1	
	DULUX T/E 42 W	0.20 A	46.00 W	0.97	3200 lm	1	
	DULUX T/E 42 W CONSTANT	0.20 A	46.00 W	0.97	3200 lm	1	
	FC 22 W	0.12 A	25.00 W	0.94 c		1	1800 lm
	FC 40 W	0.19 A	43.00 W	0.97		1	3200 lm
	HO 24 W	0.12 A	25.00 W	0.95		1	1750 lm
	HO 39 W	0.18 A	41.00 W	0.97		1	3100 lm

Product datasheet

Product name	Lamp group	Nominal current	Nominal wattage + Power loss	Power factor λ [PIM]	Luminous flux at 25 °C	Number of lighting outlets	Luminous flux at 35 °C
	L 18 W	0.10 A	19.00 W	0.88 c		1	1350 lm
	L 36 W	0.16 A	35.00 W	0.97		1	3350 lm