

QT-FIT5 3X14,4X14

QUICKTRONIC FIT 5 | ECG for FL 16 mm



Product family features

- Supply voltage: 220...240 V
- Line voltage: 198...264 V
- Line frequency: 50 Hz | 60 Hz
- Lamp start with optimum filament preheating
- Energy Efficiency Index EEI: A2
- Automatic shutdown of defective lamps and at end of life (EoL T.2)
- Lamp operation: to EN 60929
- Safety: to EN 61347-2-3

Product family benefits

- Long lamp life
- No adverse effect from frequent on/off switching
- Automatic restart after lamp replacement
- Perfect lamp start for applications with motion sensors
- VDE/VDE EMC certified system
- Very high energy efficiency due to cut-off technology

Areas of application

- Open-plan offices, corridors and storage rooms
- Public buildings
- Strip lighting
- Suitable for emergency lighting (DC operation)
- Suitable for luminaires of protection class I
- Modernization of existing systems

Product datasheet

Technical data

Electrical data

Input voltage AC	198...264 V
Nominal voltage	220...240 V
Mains frequency	50...60 Hz
Input voltage DC	185...264 V ¹⁾
Operating frequency	40...50 kHz
Max. ECG no. on circuit breaker 10 A (B)	12 ²⁾
Max. ECG no. on circuit breaker 16 A (B)	19 ²⁾
Inrush current	40 A

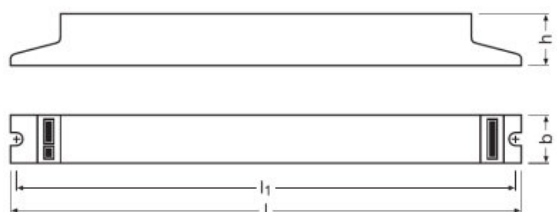
¹⁾ Minimum voltage for lamp ignition: 198 V, 185...198 V for maximum 1 h

²⁾ Type B

Light technical data

Starting time	2.0 s
---------------	-------

Dimensions & weight



Length	280.0 mm
Width	40.0 mm
Height	21.0 mm
Mounting hole spacing, length	270.0 mm
Product weight	202.00 g
Cable cross-section, output side	0.5...1.5 mm ² ¹⁾
Cable cross-section, input side	0.5...1.5 mm ² ¹⁾

¹⁾ Solid leads

Temperatures & operating conditions

Ambient temperature range	-15...+50 °C
---------------------------	--------------

Product datasheet

Permitted rel. humidity during operation	5...85 % ¹⁾
--	------------------------

¹⁾ Maximum 56 days/year at 85 %

Lifespan

ECG lifetime	50000 h
--------------	---------

Additional product data

Suitable for lamp power (3 lamps)	14 W
Suitable for lamp power (4 lamps)	14 W

Capabilities

Suitable for fixtures with prot. class	I
End of lamp life safety shutdown	EOL T.2
Max. cable length to lamp/LED module	1.0 m / 1.5 m
Dimmable	No

Certificates & standards

Approval marks – approval	VDE / ENEC 10 / VDE-EMC
EEI – Energy Label	A2 BAT
Standards	Acc. to EN 61347-2-3/IEC 61347-2-3/Acc. to EN 55015:2006 + A1:2007 + A2:2009/Acc. to EN 61000-3-2/IEC 61000-3-2/Acc. to EN 61547/IEC 61547
Protection class	I
Type of protection	IP20

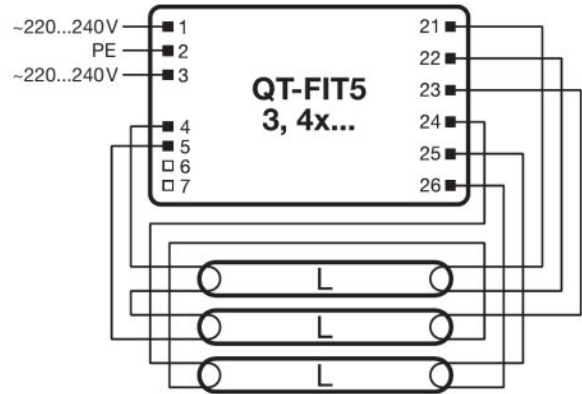
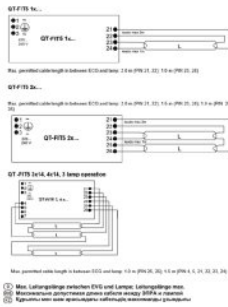
Logistical data

Commodity code	850410809000
----------------	--------------

Wiring Diagram

QUICKTRONIC® FIT T5

TYPE	QT-FIT5 1x14	QT-FIT5 1x18	QT-FIT5 1x24	QT-FIT5 3x14	QT-FIT5 3x18	QT-FIT5 3x24	QT-FIT5 4x14	QT-FIT5 4x18	QT-FIT5 4x24
Length	117 mm	153 mm	219 mm	117 mm	153 mm	219 mm	117 mm	153 mm	219 mm
Power	10 W	15 W	24 W	30 W	45 W	72 W	30 W	45 W	72 W
Current	0.45 A	0.68 A	1.08 A	0.45 A	0.68 A	1.08 A	0.45 A	0.68 A	1.08 A
Temp. rise	100 °C	150 °C	240 °C	100 °C	150 °C	240 °C	100 °C	150 °C	240 °C



592456_EAC QT-FIT5

723144_Wiring diagram QT FIT5 3x..., 4x...

Download Data

File
Product Datasheet 502688_ECG lifetime - QUICKTRONIC non DIM
Product Datasheet 342812_QT-FIT5
Certificates 339586_VDE-Marks approval
Certificates 339588_EMC-Marks approval
Certificates 592319_EAC certificate for Quicktronics QT
Certificates 683441_ENEC-Marks approvals
Declarations of conformity Quicktronic CE 3364256 090421
CAD data 3-dim 339654_CAD QT-FIT5 3-DIM.x_t
CAD data 3-dim 339655_CAD QT-FIT5 3-DIM.STEP

Product datasheet



CAD data 3-dim
339656_CAD QT-FIT5 3-DIM.IGS



CAD data PDF
339662_CAD QT-FIT5

Logistical Data

Product code	Product description	Packaging unit (Pieces/Unit)	Dimensions (length x width x height)	Volume	Gross weight
4008321971210	QT-FIT5 3X14,4X14	Shipping carton box 20	300 mm x 118 mm x 168 mm	5.95 dm ³	4217.00 g

The mentioned product code describes the smallest quantity unit which can be ordered. One shipping unit can contain one or more single products. When placing an order, for the quantity please enter single or multiples of a shipping unit.

Disclaimer

Subject to change without notice. Errors and omission excepted. Always make sure to use the most recent release.

QT-FIT5 3X14,4X14

QUICKTRONIC FIT 5 | ECG for FL 16 mm

Product name	Lamp group	Nominal current	Nominal wattage + Power loss	Power factor λ [PIM]	Luminous flux at 35 °C	Number of lighting outlets
QT-FIT5 3X14,4X14	HE 13 W ES	0.25 A	55.00 W	0.98	1150 lm	4
	HE 13 W ES	0.19 A	43.00 W	0.98	1150 lm	3
	HE 14 W	0.28 A	63.00 W	0.98	1200 lm	4