
Product datasheet

DECOSTAR 35 20 W 12 V 36° GU4

DECOSTAR 35 | Halogen dichroic reflector lamps with 35 mm diameter

- General illumination Workplace lighting Kitchen lighting
Mirror lighting Object lighting Shops Restaurants, hotels
and similar prestigious applications



- Brilliant accent light Dichroic reflector reduces the heat in the light beam by up to 66 % Approved for use in open
luminaires (to IEC 60598-1) UV filter Contains no mercury



Product datasheet

Technical data

Electrical data

Nominal wattage	20.00 W
Nominal voltage	12 V
Rated wattage	20.00 W

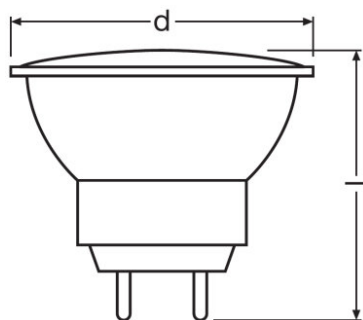
Photometrical data

Nominal useful luminous flux 90°	205 lm
Luminous intensity	580 cd
Light color (designation)	Warm White
Rated color temperature	2800 K
Color rendering index Ra	100
Lumen main.fact.at end of nom.life time	0.75
Rated luminous flux	205 lm
Nominal luminous flux	205 lm
Rated useful luminous flux 90°	205 lm
Rated peak intensity	580 cd
Color temperature	2800 K
Luminous flux	205 lm

Light technical data

Beam angle	36 °
Nominal beam angle	36 °
Starting time	0.0 s
Rated beam angle (half peak value)	36.00 °

Dimensions & weight



Diameter	35.0 mm
----------	---------

Product datasheet

Overall length	42.0 mm
Outer bulb	T9
Product weight	14.40 g
Length	40.0 mm
Maximum diameter	35.0 mm

Lifespan

Rated lamp life time	4000 h
Number of switching cycles	100000

Additional product data

Base (standard designation)	GU4
Mercury content	0.0 mg
Mercury-free	Yes

Capabilities

Burning position	Any
Dimmable	Yes

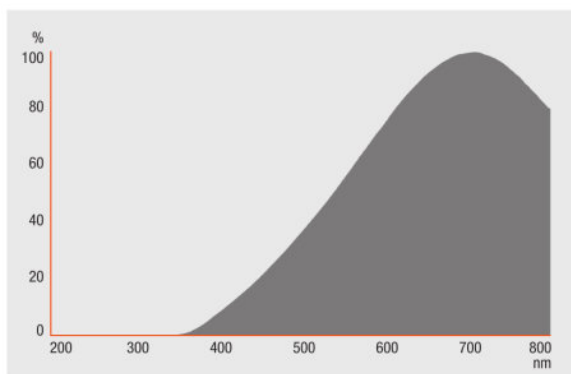
Certificates & standards

Energy efficiency class	C
Energy consumption	22 kWh/1000h

Country specific categorizations

ILCOS	HRGS//UB-20-12-GU4-35/36
Order reference	44890 WFL 20W 1

Light Distribution



HAL_DICRO_AK

Logistical Data

Product code	Product description	Packaging unit (Pieces/Unit)	Dimensions (length x width x height)	Volume	Gross weight
4050300346168	DECOSTAR 35 20 W 12 V 36° GU4	Shipping carton box 10 Pieces Folding carton box	178 mm x 70 mm x 71 mm	0.88 dm ³	231.00 g

The mentioned product code describes the smallest quantity unit which can be ordered. One shipping unit can contain one or more single products. When placing an order, for the quantity please enter single or multiples of a shipping unit.

References / Links

For light distribution curves see

▶ www.osram.com

Disclaimer

Subject to change without notice. Errors and omission excepted. Always make sure to use the most recent release.

OSRAM is distribution partner
of LEDVANCE of LAMPS

OSRAM

OSRAM GmbH
Marcel-Breuer-Strasse 6
80807 Munich, Germany