

SIRIUS HRI 100 W

SIRIUS HRI brand | High-pressure discharge lamps with reflector



Areas of application

- Concert lighting
- Club and disco
- Stage and theatre
- Studio, TV and film
- Architecture & Architainment

Product family benefits

- Lightweight and compact reflector lamps
- Perfectly suited for small and lightweight moving heads
- Optimized burner design allows any burning position
- High luminance through very short arc and high pressure
- Bright light for brilliant light effects
- Long lifetime
- Easy lamp replacement
- Stable light output over the entire lifetime



Product datasheet

Technical data

Electrical data

Nominal wattage	100.00 W
Nominal current	1.8 A
Ignition voltage	2.5 kVp
Nominal voltage	62.0 V

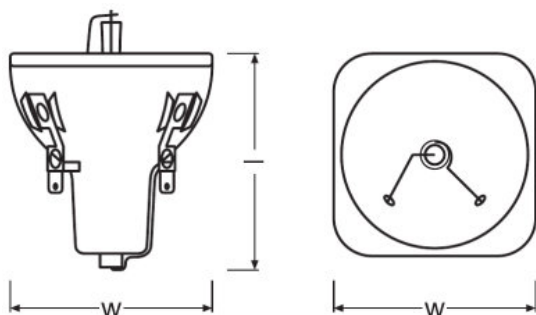
Photometrical data

Nominal luminous flux	3680 lm
Color temperature	9000 K
Color rendering index Ra	60
Maximum color temperature	9300 K

Light technical data

Focal length	30.0 mm
Aperture window, maximum	5x3.8 mm

Dimensions & weight



Diameter	45.0 mm
Length	53.0 mm
Arc length	1.0 mm

Lifespan

Lifespan	6000 h
----------	--------

Capabilities

Burning position	Any
Cooling	Forced

Product datasheet

Certificates & standards

EEI – Energy Label	B
--------------------	---

Product datasheet

Safety advice

Because of their high luminance, UV radiation and high internal pressure during operation, SIRIUS HRI lamps may only be operated in enclosed lamp casings specially constructed for the purpose. Appropriate filters must ensure that UV radiation is reduced to an acceptable level. Mercury is released if the lamp breaks. Special safety precautions must be taken. Information on safety and handling is available on request or can be found in the leaflet included with the lamp or in the operating instructions.

Logistical Data

Product code	Product description	Packaging unit (Pieces/Unit)	Dimensions (length x width x height)	Volume	Gross weight
4052899329119	SIRIUS HRI 100 W	Folding carton box 1	87 mm x 87 mm x 103 mm	0.78 dm ³	108.00 g
4052899329126	SIRIUS HRI 100 W	Shipping carton box 2	186 mm x 96 mm x 115 mm	2.05 dm ³	262.00 g
4052899329133	SIRIUS HRI 100 W	Shipping carton box 20	507 mm x 203 mm x 264 mm	27.17 dm ³	2631.00 g

The mentioned product code describes the smallest quantity unit which can be ordered. One shipping unit can contain one or more single products. When placing an order, for the quantity please enter single or multiples of a shipping unit.

Disclaimer

Subject to change without notice. Errors and omission excepted. Always make sure to use the most recent release.