

---

# Product datasheet

## DECOSTAR 51 ALU 20 W 12 V 36° GU5.3

**DECOSTAR 51 ALU | Halogen alu coated glas reflector lamps with 51 mm diameter**

- General illumination Shops Restaurants, hotels and similar prestigious applications Offices, public buildings



- Brilliant accent light No light can escape at the back of the reflector Approved for use in open luminaires (to IEC 60598-1) UV filter Aluminum-coated reflector without a shield reduces thermal load in luminaire Reduced thermal load: ~60 % compared with aluminum-coated reflectors with shield Reduced thermal load: ~80 % compared with dichroic reflectors with shield

## Product datasheet

### Technical data

#### Electrical data

Nominal wattage	20.00 W
Nominal voltage	12 V
Rated wattage	20.00 W

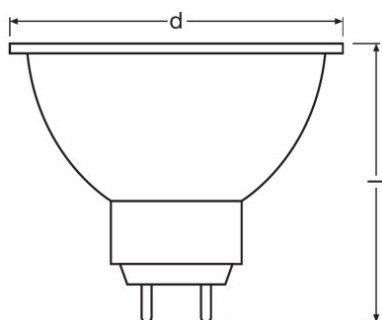
#### Photometrical data

Nominal useful luminous flux 90°	210 lm
Luminous intensity	510 cd
Light color (designation)	Warm White
Rated color temperature	2800 K
Color rendering index Ra	100
Lumen main.fact.at end of nom.life time	0.75
Rated luminous flux	205 lm
Nominal luminous flux	205 lm
Rated useful luminous flux 90°	210 lm
Rated peak intensity	510 cd
Color temperature	2800 K
Luminous flux	205 lm

#### Light technical data

Beam angle	36 °
Nominal beam angle	36 °
Starting time	0.0 s
Rated beam angle (half peak value)	36.00 °

#### Dimensions & weight



Diameter	51.0 mm
----------	---------

## Product datasheet

Overall length	46.0 mm
Outer bulb	T9
Product weight	23.90 g
Length	46.0 mm
Maximum diameter	51.0 mm

### Lifespan

Rated lamp life time	4000 h
Number of switching cycles	100000

### Additional product data

Base (standard designation)	GU5.3
Mercury content	0.0 mg
Mercury-free	Yes

### Capabilities

Burning position	Any
Dimmable	Yes

### Certificates & standards

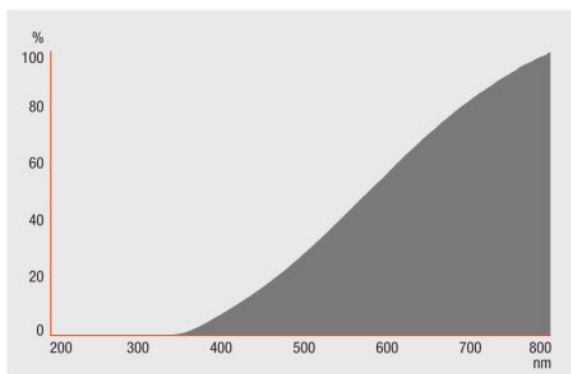
Energy efficiency class	C
Energy consumption	22 kWh/1000h

### Country specific categorizations

ILCOS	HAGS//UB-20-12-GU5.3-51/36
Order reference	41861 WFL 20W 1

### Light Distribution

---



---

HAL\_NV\_UVS

---

### Logistical Data

Product code	Product description	Packaging unit (Pieces/Unit)	Dimensions (length x width x height)	Volume	Gross weight
4050300428819	DECOSTAR 51 ALU 20 W 12 V 36° GU5.3	Shipping carton box 20 Pieces Folding carton box	238 mm x 122 mm x 123 mm	3.57 dm <sup>3</sup>	686.00 g

The mentioned product code describes the smallest quantity unit which can be ordered. One shipping unit can contain one or more single products. When placing an order, for the quantity please enter single or multiples of a shipping unit.

---

### References / Links

For light distribution curves see

▶ [www.osram.com](http://www.osram.com)

---

### Disclaimer

Subject to change without notice. Errors and omission excepted. Always make sure to use the most recent release.

OSRAM is distribution partner  
of LEDVANCE of LAMPS

**OSRAM**

OSRAM GmbH  
Marcel-Breuer-Strasse 6  
80807 Munich, Germany