
Product datasheet

DECOSTAR 51 TITAN 20 W 12 V 10° GU5.3

DECOSTAR 51 TITAN | Halogen dichroic reflector lamps with 51 mm diameter

- General illumination Shops Restaurants, hotels and similar prestigious applications Offices, public buildings



- Brilliant accent light Constant bluish appearance of the light escaping at the back of the reflector Dichroic reflector reduces the heat in the light beam by up to 66 % Constant luminous intensity and constant color location throughout the lifetime Flat clear shield Approved for use in open luminaires (to IEC 60598-1) UV filter Contains no mercury

Product datasheet

Technical data

Electrical data

Nominal wattage	20.00 W
Nominal voltage	12 V
Rated wattage	20.00 W

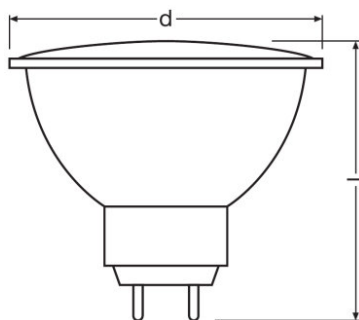
Photometrical data

Nominal useful luminous flux 90°	250 lm
Luminous intensity	5000 cd
Light color (designation)	Warm White
Rated color temperature	3000 K
Color rendering index Ra	100
Lumen main.fact.at end of nom.life time	0.75
Rated luminous flux	300 lm
Nominal luminous flux	300 lm
Rated useful luminous flux 90°	250 lm
Rated peak intensity	5000 cd
Color temperature	3000 K
Luminous flux	300 lm

Light technical data

Beam angle	10 °
Nominal beam angle	10 °
Starting time	0.0 s
Rated beam angle (half peak value)	10.00 °

Dimensions & weight



Diameter	51.0 mm
----------	---------

Product datasheet

Overall length	45.0 mm
Outer bulb	MR51
Product weight	32.50 g
Length	46.0 mm
Maximum diameter	51.0 mm

Lifespan

Rated lamp life time	4000 h
Number of switching cycles	100000

Additional product data

Base (standard designation)	GU5.3
Mercury content	0.0 mg
Mercury-free	Yes

Capabilities

Burning position	Any
Dimmable	Yes

Certificates & standards

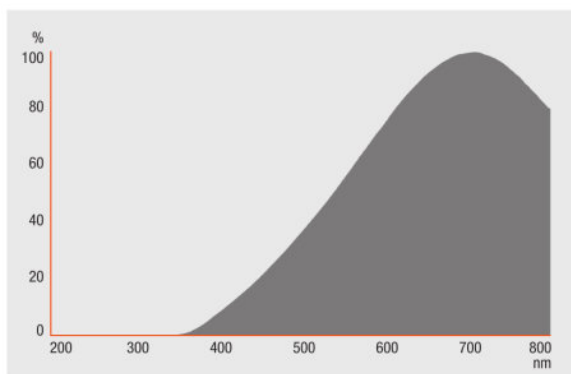
Energy efficiency class	B
Energy consumption	22 kWh/1000h

Country specific categorizations

ILCOS	HRGS//UB-20-12-GU5.3-51/10
Order reference	46860 SP 20W 12

Product datasheet

Light Distribution



HAL_DICRO_AK

Logistical Data

Product code	Product description	Packaging unit (Pieces/Unit)	Dimensions (length x width x height)	Volume	Gross weight
4050300428635	DECOSTAR 51 TITAN 20 W 12 V 10° GU5.3	Shipping carton box 20 Pieces Folding carton box	103 mm x 122 mm x 246 mm	3.09 dm ³	836.00 g

The mentioned product code describes the smallest quantity unit which can be ordered. One shipping unit can contain one or more single products. When placing an order, for the quantity please enter single or multiples of a shipping unit.

References / Links

For light distribution curves see

▶ www.osram.com

Disclaimer

Subject to change without notice. Errors and omission excepted. Always make sure to use the most recent release.

OSRAM is distribution partner
of LEDVANCE of LAMPS

OSRAM

OSRAM GmbH
Marcel-Breuer-Strasse 6
80807 Munich, Germany