
Product datasheet

HALOSPOT 111 PRO 60 W 12 V 24° G53

HALOSPOT 111 PRO | Halogen spot lamps with 111 mm aluminum reflector

- General illumination Entrance lighting Shops
Restaurants, hotels and similar prestigious applications
Offices, public buildings



- Brilliant accent lighting Significantly lower CO2 emissions compared to standard version Cap for reduced glare and ease of handling New high-tech reflector for optimum illumination and reduced scatter Approved for use in open luminaires (to IEC 60598-1) UV filter Drastically reduced thermal load in luminaire thanks to aluminum-coated reflector Contains no mercury

Product datasheet

Technical data

Electrical data

Nominal wattage	60.00 W
Nominal voltage	12.0 V
Rated wattage	60.00 W
Claimed equiv. conventional lamp power	90 W

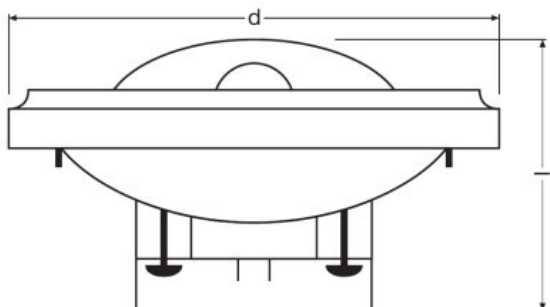
Photometrical data

Nominal useful luminous flux 90°	870 lm
Luminous intensity	7000 cd
Rated color temperature	3000 K
Light color (designation)	Warm White
Color rendering index Ra	100
Lumen main.fact.at end of nom.life time	0.75
Rated useful luminous flux 90°	870 lm
Rated peak intensity	7000 cd
Color temperature	3000 K
Luminous flux	870 lm

Light technical data

Beam angle	24 °
Nominal beam angle	24 °
Starting time	0.0 s
Rated beam angle (half peak value)	24.00 °

Dimensions & weight



Diameter	111.0 mm
Length	67.0 mm

Product datasheet

Overall length	56.0 mm
Outer bulb	E12
Product weight	53.40 g
Maximum diameter	111.0 mm

Lifespan

Rated lamp life time	4000 h
Number of switching cycles	100000

Additional product data

Base (standard designation)	G53
Mercury content	0.0 mg
Mercury-free	Yes
Product remark	If connectors are used, an additional holder is required at the rim of the reflector/May produce noise in combination with some dimmers. Recommended solution: use OSRAM HTi DALI 150/230-240 DIM with OSRAM DALI MCU

Capabilities

Burning position	Any
Dimmable	Yes

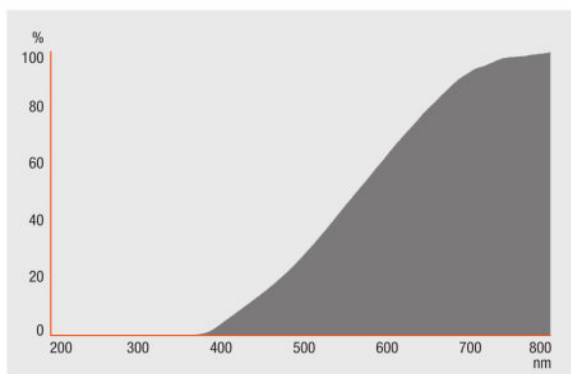
Certificates & standards

Energy efficiency class	B
Energy consumption	65 kWh/1000h

Country specific categorizations

ILCOS	HMGS//UBIB-60-12-G53-111/24
Order reference	48837 PRO FL 60

Light Distribution



HAL_IRC_ALU

Logistical Data

Product code	Product description	Packaging unit (Pieces/Unit)	Dimensions (length x width x height)	Volume	Gross weight
4050300786094	HALOSPOT 111 PRO 60 W 12 V 24° G53	Shipping carton box 6 Pieces Folding carton box	275 mm x 130 mm x 185 mm	6.61 dm ³	676.80 g

The mentioned product code describes the smallest quantity unit which can be ordered. One shipping unit can contain one or more single products. When placing an order, for the quantity please enter single or multiples of a shipping unit.

References / Links

For light distribution curves see

▶ www.osram.com

Disclaimer

Subject to change without notice. Errors and omission excepted. Always make sure to use the most recent release.

OSRAM is distribution partner
of LEDVANCE of LAMPS

OSRAM

OSRAM GmbH
Marcel-Breuer-Strasse 6
80807 Munich, Germany