
Product datasheet

HALOSPOT 70 20 W 12 V 24° BA15D

HALOSPOT 70 | Halogen spot lamps with 70 mm aluminum reflector

- General illumination Shops Restaurants, hotels and similar prestigious applications Offices, public buildings



- Brilliant accent light Cap for reduced glare and ease of handling Excellent distribution of light thanks to faceted reflector Approved for use in open luminaires (to IEC 60598-1) UV filter Drastically reduced thermal load in luminaire thanks to aluminum-coated reflector Contains no mercury

Product datasheet

Technical data

Electrical data

Nominal wattage	20.00 W
Nominal voltage	12 V
Rated wattage	20.00 W

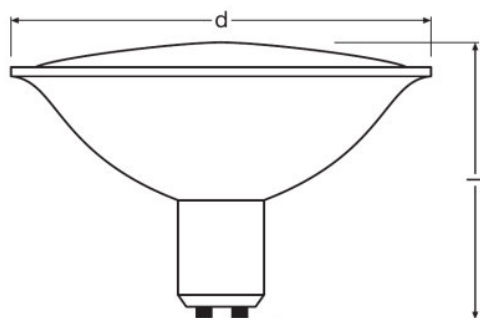
Photometrical data

Nominal useful luminous flux 90°	150 lm
Luminous intensity	900 cd
Rated color temperature	2800 K
Light color (designation)	Warm White
Color rendering index Ra	100
Lumen main.fact.at end of nom.life time	0.75
Rated luminous flux	150 lm
Nominal luminous flux	150 lm
Rated useful luminous flux 90°	150 lm
Rated peak intensity	900 cd
Color temperature	2800 K
Luminous flux	150 lm

Light technical data

Beam angle	24 °
Nominal beam angle	24 °
Starting time	0.0 s
Rated beam angle (half peak value)	24.00 °

Dimensions & weight



Diameter	70.0 mm
----------	---------

Product datasheet

Length	50.0 mm
Overall length	45.6 mm
Outer bulb	AR70
Product weight	22.50 g
Maximum diameter	70.0 mm

Lifespan

Rated lamp life time	4000 h
Number of switching cycles	100000

Additional product data

Base (standard designation)	BA15d
Mercury content	0.0 mg
Mercury-free	Yes

Capabilities

Burning position	Any
Dimmable	Yes

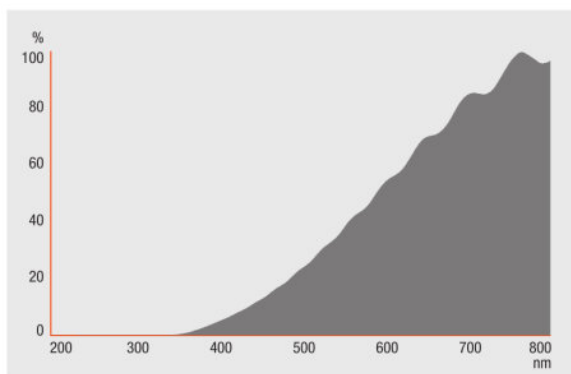
Certificates & standards

Energy efficiency class	C
Energy consumption	22 kWh/1000h

Country specific categorizations

ILCOS	HMGS//UB-20-12-BA15D-70/24
Order reference	41970 FL 20W 12

Light Distribution



HAL_UVS_ALU

Logistical Data

Product code	Product description	Packaging unit (Pieces/Unit)	Dimensions (length x width x height)	Volume	Gross weight
4050300011110	HALOSPOT 70 20 W 12 V 24° BA15D	Shipping carton box 10 Pieces Folding carton box	306 mm x 75 mm x 126 mm	2.89 dm ³	408.00 g

The mentioned product code describes the smallest quantity unit which can be ordered. One shipping unit can contain one or more single products. When placing an order, for the quantity please enter single or multiples of a shipping unit.

References / Links

For light distribution curves see

▶ www.osram.com

Disclaimer

Subject to change without notice. Errors and omission excepted. Always make sure to use the most recent release.

OSRAM is distribution partner
of LEDVANCE of LAMPS

OSRAM

OSRAM GmbH
Marcel-Breuer-Strasse 6
80807 Munich, Germany