
Product datasheet

FC 40 W/827

LUMILUX T5 FC | Circular fluorescent lamps 16 mm, with 2GX13 base

- Public buildings Offices Restaurants Industry Shops
Supermarkets and department stores Hotels



- Extremely economical Good quality of light Excellent luminous flux Excellent uniform illumination with no shadows
Good average life (with OSRAM ECG)



Product datasheet

Technical data

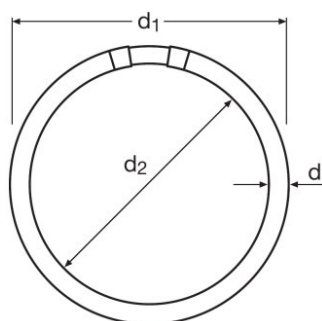
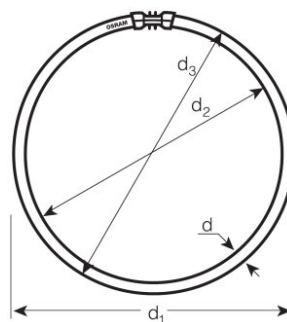
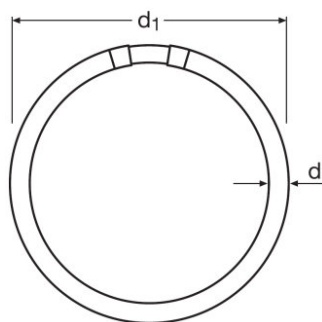
Electrical data

Nominal wattage	40.00 W
Rated wattage	39.90 W

Photometrical data

Rated lamp efficacy (standard condition)	84 lm/W
Color rendering index Ra	≥80
Rated luminous flux	3400 lm
Luminous flux at	3400 lm
Light color	827
Rated color temperature	2700 K
Nominal luminous flux	3400 lm
Light color (designation)	LUMILUX INTERNA
Rated LLMF at 2,000 h	0.85
Rated LLMF at 4,000 h	0.83
Rated LLMF at 6,000 h	0.80
Rated LLMF at 8,000 h	0.80
Rated LLMF at 12,000 h	0.75
Color temperature	2700 K
Luminous flux	3400 lm

Dimensions & weight



Tube diameter	16 mm
Length	305.0 mm
Length with base excl. base pins/connection	300.00 mm
Diameter	16.0 mm
Product weight	83.75 g
Outer bulb	T16
Maximum diameter	16.0 mm

Temperatures & operating conditions

Rated ambient temp.w.max.luminous flux	35.0 °C
--	---------

Lifespan

Service life	8000 h ¹⁾
Lifespan	12000 h ¹⁾
Rated lamp survival factor at 2,000 h	0.99
Rated lamp survival factor at 4,000 h	0.99
Rated lamp survival factor at 6,000 h	0.98
Rated lamp survival factor at 8,000 h	0.92

Product datasheet

Rated lamp survival factor at 12,000 h	0.50
Operation mode LLMF/LSF	HF
Rated lamp life time	12000 h

¹⁾ With preheat ECG

Additional product data

Base (standard designation)	2GX13
Mercury content	3.0 mg
Product remark	Suitable for ECG operation only
Appropriate disposal acc. to WEEE	Yes

Capabilities

Suitable for indoor	Yes
---------------------	-----

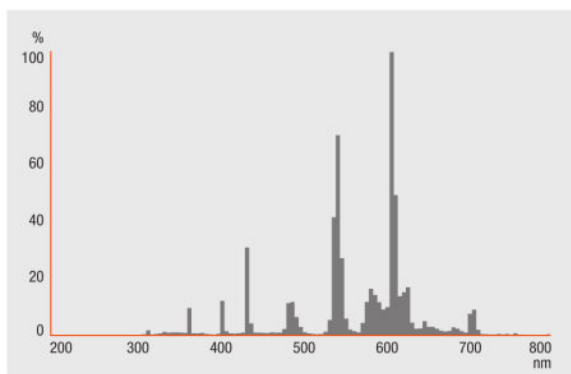
Certificates & standards

Energy efficiency class	A+
Energy consumption	44 kWh/1000h

Country specific categorizations

Order reference	FC 40W/827
-----------------	------------

Light Distribution



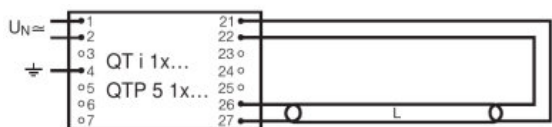
FL_827

System guarantee

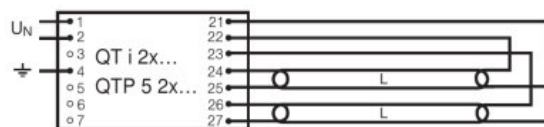
OSRAM System+ Guarantee in combination with OSRAM ECGs

Equipment / Accessories

- Exclusively for operation on electronic control gears



QUICKTRONIC INTELLIGENT QT i 1x QTP 5 1x



QUICKTRONIC INTELLIGENT QT i 2x QTP 5 2x

Product datasheet

Logistical Data

Product code	Product description	Packaging unit (Pieces/Unit)	Dimensions (length x width x height)	Volume	Gross weight
4050300646251	FC 40 W/827	Shipping carton box 12 Pieces Folding carton box	368 mm x 330 mm x 319 mm	38.74 dm ³	2727.00 g

The mentioned product code describes the smallest quantity unit which can be ordered. One shipping unit can contain one or more single products. When placing an order, for the quantity please enter single or multiples of a shipping unit.

References / Links

For more information on the system guarantee and the terms and conditions of the guarantee visit

▶ www.osram.com/system-guarantee

For more information on QUICKTRONIC electronic control gear go to

▶ www.osram.com/QUICKTRONIC

Disclaimer

Subject to change without notice. Errors and omission excepted. Always make sure to use the most recent release.

OSRAM is distribution partner
of LEDVANCE of LAMPS

OSRAM

OSRAM GmbH
Marcel-Breuer-Strasse 6
80807 Munich, Germany

FC 40 W/827

LUMILUX T5 FC | Circular fluorescent lamps 16 mm, with 2GX13 base

Product name	Product name ECG	EAN	Nominal current	Nominal wattage + Power loss	Power factor λ [PIM]	Luminous flux at 35 °C
FC 40 W/827	QTi 1x14/24/21/39 GII	4008321383334	0.19 A	43.00 W	0.96	3200 lm
	QTi 1x21/39 DIM	4050300870564	0.18 A	42.00 W	0.98	3100 lm
	QTi 2x14/24/21/39 GII	4008321383396	0.36 A	88.00 W	0.99	3200 lm
	QTi 2x21/39 DIM	4050300870694	0.36 A	82.00 W	0.98	3100 lm
	QTi DALI 1x21/39 DIM	4050300870366	0.18 A	42.00 W	0.98	3100 lm
	QTi DALI 2x21/39 DIM	4050300870489	0.36 A	82.00 W	0.98	3100 lm
	QTi DALI-T/E 1x18-57 DIM	4008321060808	0.20 A	45.00 W	0.98	3200 lm
	QTi DALI-T/E 2x18-42 DIM	4008321060822	0.38 A	87.00 W	0.99	3200 lm
	QTi-T/E 1x18-57 DIM	4008321060860	0.20 A	45.00 W	0.98	3200 lm
	QTi-T/E 2x18-42 DIM	4008321060846	0.38 A	87.00 W	0.99	3200 lm
	QT-M 2x26-42/220-240 S	4008321110022	0.36 A	88.00 W	0.97	3200 lm
QTP-M 1x26-42	4008321329134	0.19 A	43.00 W	0.97	3200 lm	

Product name	Product name ECG	EAN	Number of lighting outlets
FC 40 W/827	QTi 1x14/24/21/39 GII	4008321383334	1
	QTi 1x21/39 DIM	4050300870564	1
	QTi 2x14/24/21/39 GII	4008321383396	2

Product datasheet

Product name	Product name ECG	EAN	Number of lighting outlets
	QTi 2x21/39 DIM	4050300870694	2
	QTi DALI 1x21/39 DIM	4050300870366	1
	QTi DALI 2x21/39 DIM	4050300870489	2
	QTi DALI-T/E 1x18-57 DIM	4008321060808	1
	QTi DALI-T/E 2x18-42 DIM	4008321060822	2
	QTi-T/E 1x18-57 DIM	4008321060860	1
	QTi-T/E 2x18-42 DIM	4008321060846	2
	QT-M 2x26-42/220-240 S	4008321110022	2
	QTP-M 1x26-42	4008321329134	1