

Product datasheet

L 40 W/840 G10Q

LUMILUX T9 C | Circular fluorescent lamps 29 mm, with G10Q base

- Public buildings Restaurants Industry Shops
Supermarkets and department stores Hotels



- Extremely economical Good quality of light Excellent luminous flux Excellent uniform illumination with no shadows



Product datasheet

Technical data

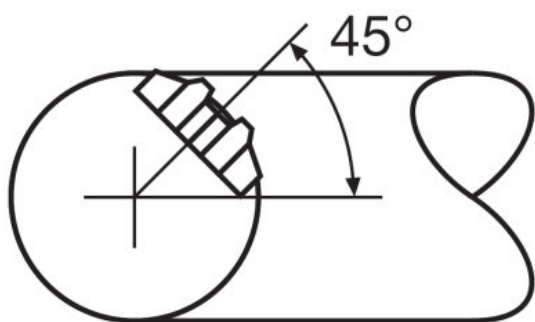
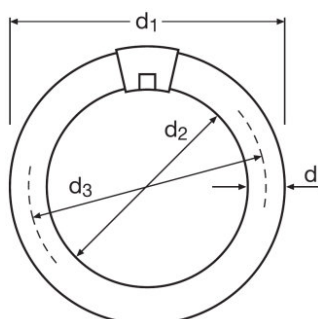
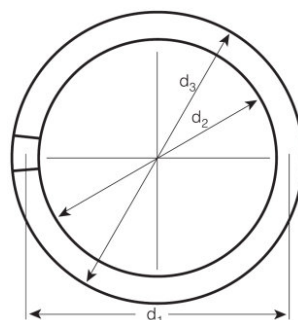
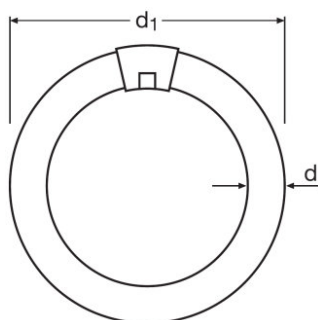
Electrical data

| | |
|-----------------|---------|
| Nominal wattage | 40.00 W |
| Rated wattage | 40.00 W |

Photometrical data

| | |
|--|--------------------|
| Rated lamp efficacy (standard condition) | 80 lm/W |
| Color rendering index Ra | 80...89 |
| Rated luminous flux | 3200 lm |
| Luminous flux at | 3200 lm |
| Light color | 840 |
| Rated color temperature | 4000 K |
| Nominal luminous flux | 3200 lm |
| Light color (designation) | LUMILUX Cool White |
| Rated LLMF at 2,000 h | 0.80 |
| Rated LLMF at 4,000 h | 0.74 |
| Rated LLMF at 6,000 h | 0.72 |
| Rated LLMF at 8,000 h | 0.70 |
| Color temperature | 4000 K |
| Luminous flux | 3200 lm |

Dimensions & weight



| | |
|------------------|----------|
| Tube diameter | 29 mm |
| Length | 406.0 mm |
| Diameter | 406.0 mm |
| Product weight | 231.00 g |
| Outer bulb | T29 |
| Maximum diameter | 29.0 mm |

Temperatures & operating conditions

Product datasheet

| | |
|--|---------|
| Rated ambient temp.w.max.luminous flux | 25.0 °C |
|--|---------|

Lifespan

| | |
|---------------------------------------|----------------------|
| Service life | 6300 h ¹⁾ |
| Lifespan | 9000 h ¹⁾ |
| Rated lamp survival factor at 2,000 h | 0.98 |
| Rated lamp survival factor at 4,000 h | 0.95 |
| Rated lamp survival factor at 6,000 h | 0.83 |
| Rated lamp survival factor at 8,000 h | 0.62 |
| Operation mode LLMF/LSF | 50 Hz |
| Rated lamp life time | 9000 h |

¹⁾ With preheat ECG

Additional product data

| | |
|-----------------------------------|--------|
| Base (standard designation) | G10q |
| Mercury content | 5.0 mg |
| Appropriate disposal acc. to WEEE | Yes |

Capabilities

| | |
|---------------------|-----|
| Suitable for indoor | Yes |
|---------------------|-----|

Certificates & standards

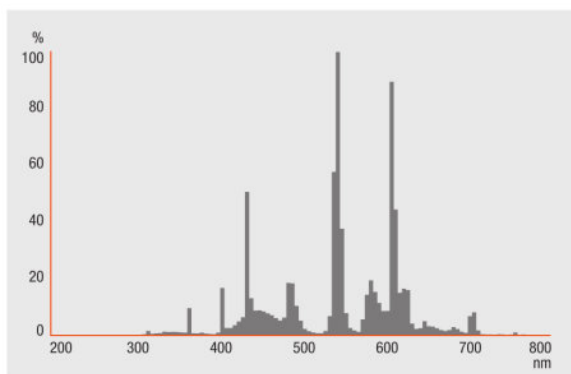
| | |
|-------------------------|--------------|
| Energy efficiency class | A |
| Energy consumption | 48 kWh/1000h |

Country specific categorizations

| | |
|-----------------|-----------------|
| Order reference | L 40W/840 C G10 |
|-----------------|-----------------|

Product datasheet

Light Distribution



FL_840

Equipment / Accessories

- Suitable for operation on electronic and conventional control gears

DUO CIRCUIT

Logistical Data

| Product code | Product description | Packaging unit (Pieces/Unit) | Dimensions (length x width x height) | Volume | Gross weight |
|--------------|---------------------|------------------------------|--------------------------------------|--------|--------------|
|--------------|---------------------|------------------------------|--------------------------------------|--------|--------------|

Product datasheet

| | | | | | |
|---------------|-----------------|--|-----------------------------|-----------------------|-----------|
| 4050300014845 | L 40 W/840 G10Q | Shipping carton box 12 Pieces Sleeves | 452 mm x 431 mm x 436 mm | 84.94 dm ³ | 5865.00 g |
|---------------|-----------------|--|-----------------------------|-----------------------|-----------|

The mentioned product code describes the smallest quantity unit which can be ordered. One shipping unit can contain one or more single products. When placing an order, for the quantity please enter single or multiples of a shipping unit.

References / Links

For more information on QUICKTRONIC electronic control gear go to

▶ www.osram.com/QUICKTRONIC

Disclaimer

Subject to change without notice. Errors and omission excepted. Always make sure to use the most recent release.

OSRAM is distribution partner
of LEDVANCE of LAMPS

OSRAM

OSRAM GmbH
Marcel-Breuer-Strasse 6
80807 Munich, Germany

L 40 W/840 G10Q

LUMILUX T9 C | Circular fluorescent lamps 29 mm, with G10Q base

| Product name | Product name ECG | EAN | Nominal current | Nominal wattage + Power loss | Power factor λ [PIM] | Luminous flux at 25 °C |
|-----------------|---------------------|---------------|-----------------|------------------------------|------------------------------|------------------------|
| L 40 W/840 G10Q | QTP-OPTIMAL 1x18-40 | 4008321873743 | 0.18 A | 41.10 W | 0.98 | 1*3200 lm |

| Product name | Product name ECG | EAN | Number of lighting outlets |
|-----------------|---------------------|---------------|----------------------------|
| L 40 W/840 G10Q | QTP-OPTIMAL 1x18-40 | 4008321873743 | 1 |