
Product datasheet

L 32 W/827 G10Q

LUMILUX T9 C | Circular fluorescent lamps 29 mm, with G10Q base

- Public buildings Restaurants Industry Shops
Supermarkets and department stores Hotels



- Extremely economical Good quality of light Excellent luminous flux Excellent uniform illumination with no shadows



Technical data

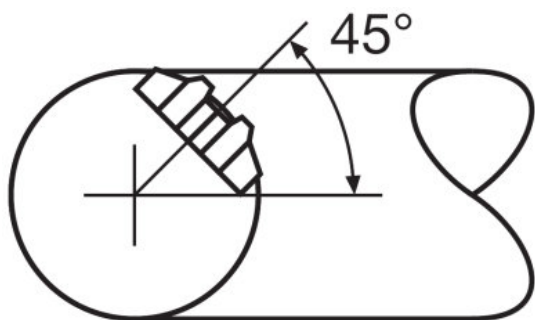
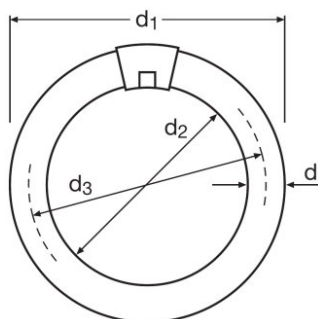
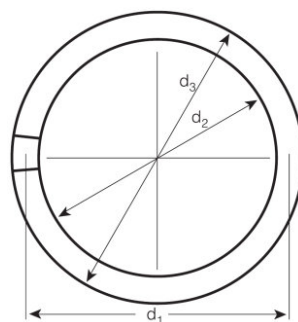
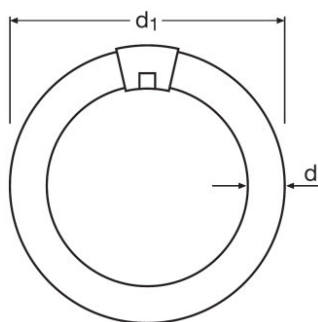
Electrical data

Nominal voltage	84 V
Nominal wattage	32.00 W
Rated wattage	32.00 W

Photometrical data

Rated lamp efficacy (standard condition)	70 lm/W
Color rendering index Ra	80...89
Rated luminous flux	2250 lm
Luminous flux at	2250 lm
Light color	827
Rated color temperature	2700 K
Nominal luminous flux	2250 lm
Light color (designation)	LUMILUX INTERNA
Rated LLMF at 2,000 h	0.80
Rated LLMF at 4,000 h	0.74
Rated LLMF at 6,000 h	0.72
Rated LLMF at 8,000 h	0.70
Color temperature	2700 K
Luminous flux	2250 lm

Dimensions & weight



Tube diameter	29 mm
Length	305.0 mm
Diameter	305.0 mm
Product weight	191.00 g
Outer bulb	T29
Maximum diameter	29.0 mm

Temperatures & operating conditions

Product datasheet

Rated ambient temp.w.max.luminous flux	25.0 °C
--	---------

Lifespan

Service life	6300 h
Lifespan	9000 h
Rated lamp survival factor at 2,000 h	0.99
Rated lamp survival factor at 4,000 h	0.95
Rated lamp survival factor at 6,000 h	0.83
Rated lamp survival factor at 8,000 h	0.62
Operation mode LLMF/LSF	50 Hz
Rated lamp life time	9000 h

Additional product data

Base (standard designation)	G10q
Mercury content	5.0 mg
Appropriate disposal acc. to WEEE	Yes

Capabilities

Suitable for indoor	Yes
---------------------	-----

Certificates & standards

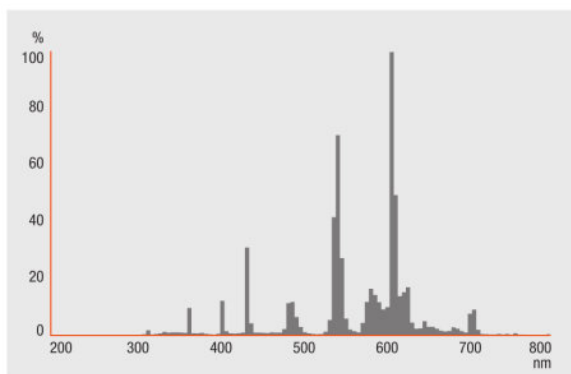
Energy efficiency class	A
Energy consumption	39 kWh/1000h

Country specific categorizations

Order reference	L 32W/827 C G10
-----------------	-----------------

Product datasheet

Light Distribution



FL_827

Equipment / Accessories

- Suitable for operation on electronic and conventional control gears

DUO CIRCUIT

Logistical Data

Product code	Product description	Packaging unit (Pieces/Unit)	Dimensions (length x width x height)	Volume	Gross weight
--------------	---------------------	------------------------------	--------------------------------------	--------	--------------

Product datasheet

4008321581129	L 32 W/827 G10Q	Shipping carton box 12 Pieces Sleeves	452 mm x 320 mm x 323 mm	46.72 dm ³	4228.20 g
---------------	-----------------	--	-----------------------------	-----------------------	-----------

The mentioned product code describes the smallest quantity unit which can be ordered. One shipping unit can contain one or more single products. When placing an order, for the quantity please enter single or multiples of a shipping unit.

References / Links

For more information on QUICKTRONIC electronic control gear go to

▶ www.osram.com/QUICKTRONIC

Disclaimer

Subject to change without notice. Errors and omission excepted. Always make sure to use the most recent release.

OSRAM is distribution partner
of LEDVANCE of LAMPS

OSRAM

OSRAM GmbH
Marcel-Breuer-Strasse 6
80807 Munich, Germany

L 32 W/827 G10Q

LUMILUX T9 C | Circular fluorescent lamps 29 mm, with G10Q base

Product name	Product name ECG	EAN	Nominal current	Nominal wattage + Power loss	Power factor λ [PIM]	Luminous flux at 35 °C
L 32 W/827 G10Q	QTi DALI 1x36 DIM	4050300870427	0.16 A	36.00 W	0.98	2300 lm
	QTi DALI 2x36 DIM	4050300870885	0.31 A	69.00 W	0.98	2300 lm

Product name	Product name ECG	EAN	Number of lighting outlets
L 32 W/827 G10Q	QTi DALI 1x36 DIM	4050300870427	1
	QTi DALI 2x36 DIM	4050300870885	2