

44
kWh/1000h

A
energy class

62
lumens/watt

ConstantColor™ CMH MR16

CMH35/MR16/UVC/U/930/GX10/FL
PRECISE™TU
93102208

Product information

ConstantColor™ CMH lamps combine HPS technology (providing stability, efficiency & uniformity) and Metal Halide Technology (providing bright white quality light) to produce highly efficient light sources with good colour rendering and consistent colour performance through life.

This is achieved by using the ceramic arc tube material from the Lucalox™ lamp, which minimises the chemical changes inside the lamp through life.

Application areas



Retail



Industrial

Product data

Product Code	93102208
Bulb Shape	Mirrored reflector
Bulb Finish	Clear
Bulb Diameter [mm]	51
Maximum Overall Length [mm]	54.5
Net weight per piece [g]	60
Gross weight per piece [g]	85
Operating position	U - Universal
Mercury Content [mg]	4.5
UV radiance	Exempt
Brand	Tungsräm
Cap/Base	GX10

Performance data

Nominal/ Rated Beam Angle [°]	25
Nominal/ Rated Beam Angle (°)	25
Colour Code	930
Nominal center beam candlepower (CBCP) [cd]	7500
Rated Lumens [lm]	2137
Weighted energy consumption [kWh/1000h]	43.12
Useful lumens (at 90° cone) [lm]	2137
Rated efficacy [LpW]	68
Energy efficiency class (EEC)	A
Rated average life [h]	18000
Nominal chromaticity coordinate X	0.433
Nominal chromaticity coordinate Y	0.394
Nominal correlated colour temperature (CCT) [K]	3000
Nominal lumens [lm]	2400
Colour Rendering Index (CRI) [Ra]	91

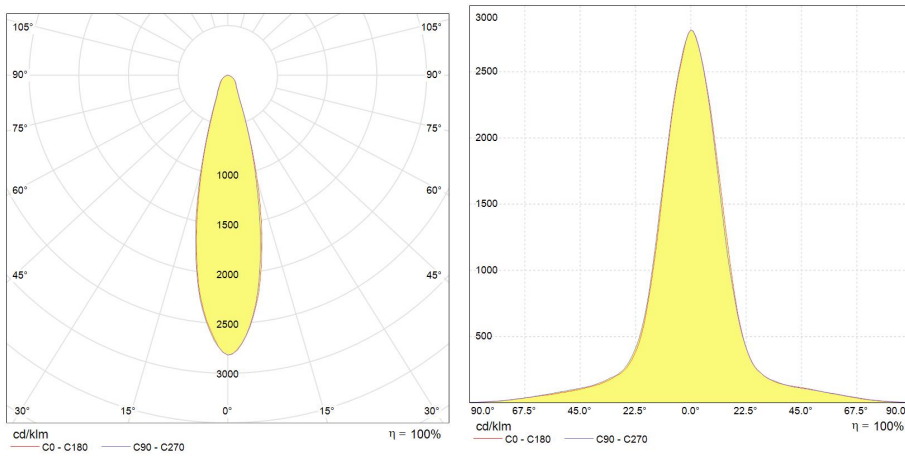
Electrical data

Rated power [W]	39.2
Lamp Current [A]	0.53
Design Ambient Temperature [°C]	25
Run-up time (sec)	<1.5
Hot restart time (sec)	<7
Dimming Capability	No
Ballast Required	Yes
Nominal power [W]	39
Nominal lamp voltage [V]	93

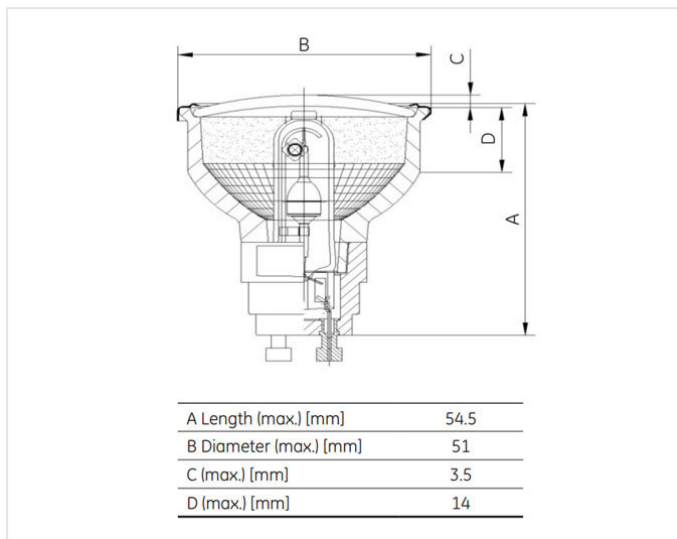
Logistic data

DUN Code	15994100017346
EAN Code	5994100017349
Pack Quantity	12
Inner pack type	BOX
Outer pack type	OUTER BOX
Layer quantity	288 EUR, 348 UK
Layer quantity EUR	288
Layer quantity UK	348
Pallet quantity EUR (PC)	4032
Pallet quantity UK (PC)	4872
Outer case size	226 x 171 x 77 (mm)
Product status	Available

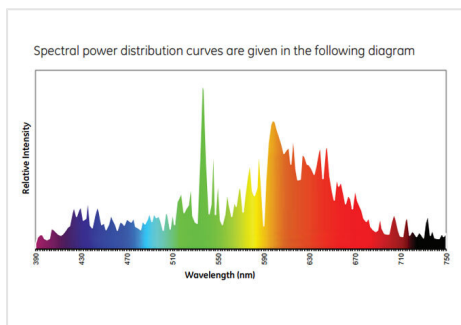
Light distribution



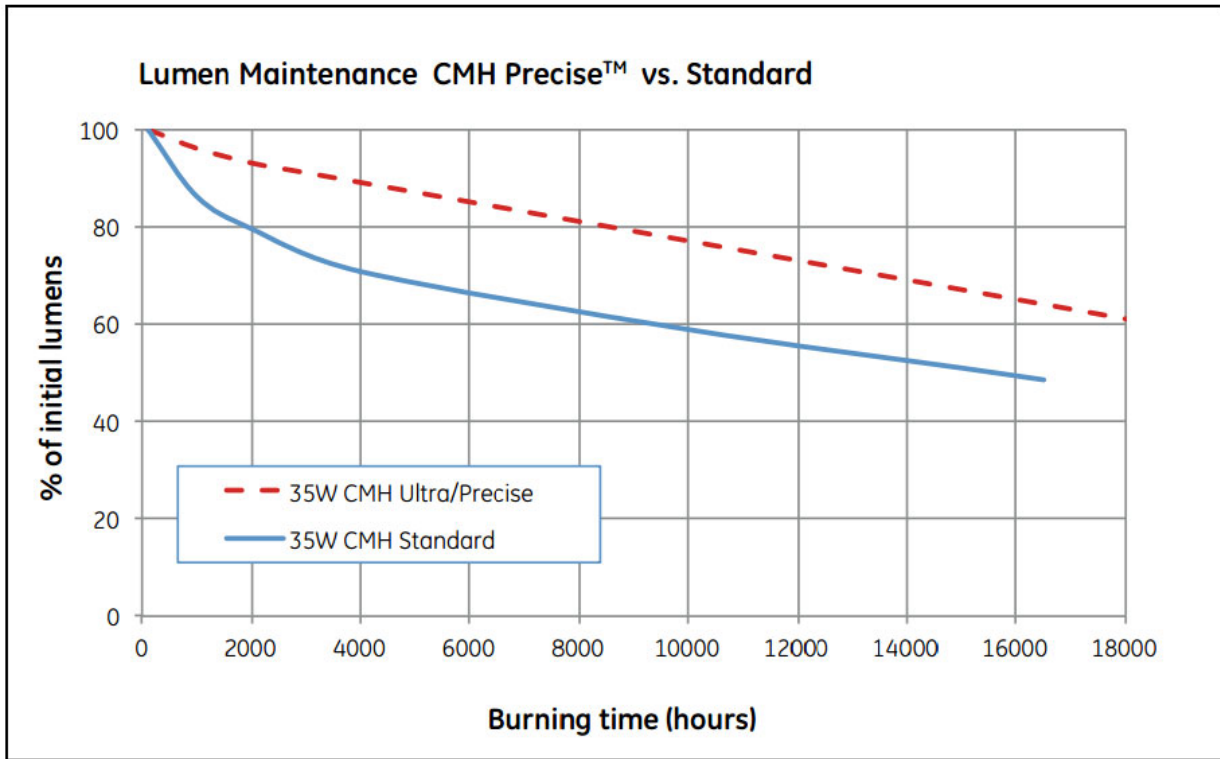
Technical drawing



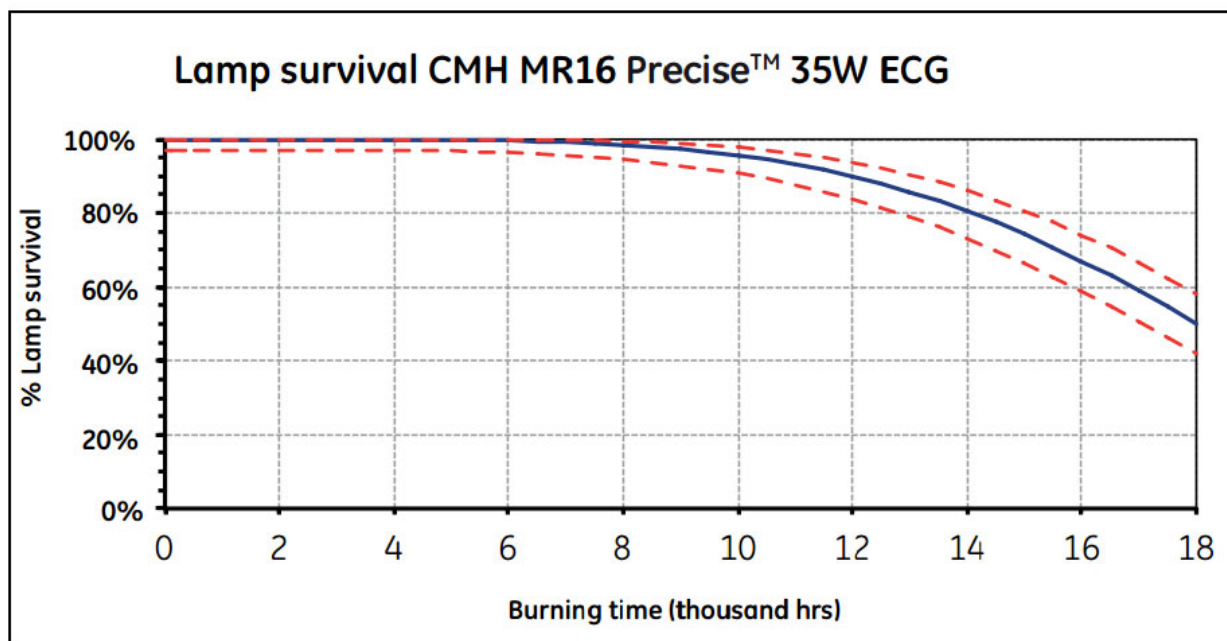
Spectral distribution



Lumen maintenance data



Survival data



Downloads & Links

[Go to the catalog site \(HTTP\)](#)

[Photometry \(IES\)](#)

[Product datasheet \(PDF\)](#)

[High-res images / Technical drawings \(HTTP\)](#)